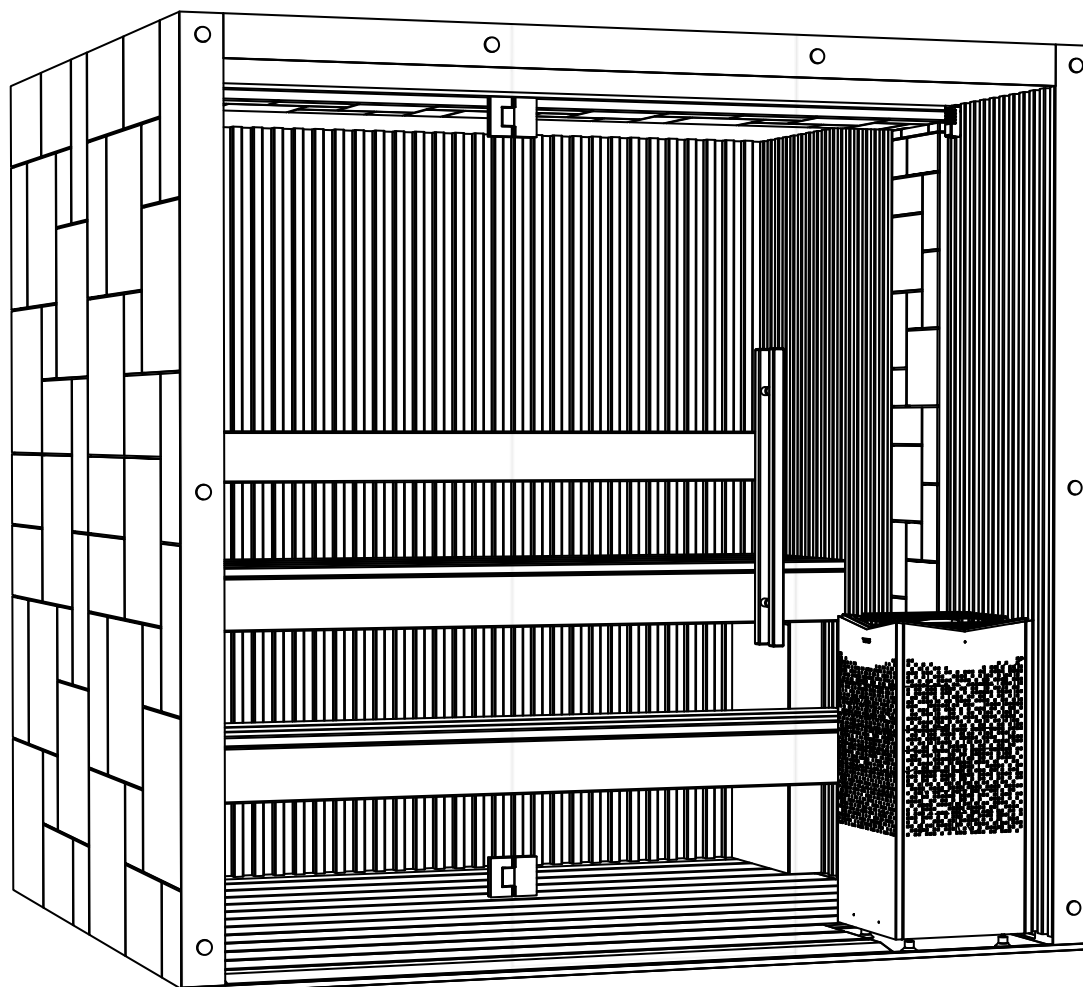


SAUNA REFLECTION



SAUNA REFLECTION



Sauna360® congratulates you on your decision to enjoy the finest sauna available...

Welcome to the growing family of Tylö sauna owners.

Before you begin reviewing the manual, please take a moment to register your warranty. Doing so will assist us in contacting you for any important notification.

Prior to registering, you will need the serial number(s) located on the equipment.

To register, please go to <http://tylo.com/en-us/warranty>

FOR YOUR RECORDS

Room Model/Serial Number: _____

Control Model/Serial Number: _____

Date Purchased: _____

Dealer: _____

Address: _____

Phone Number: _____

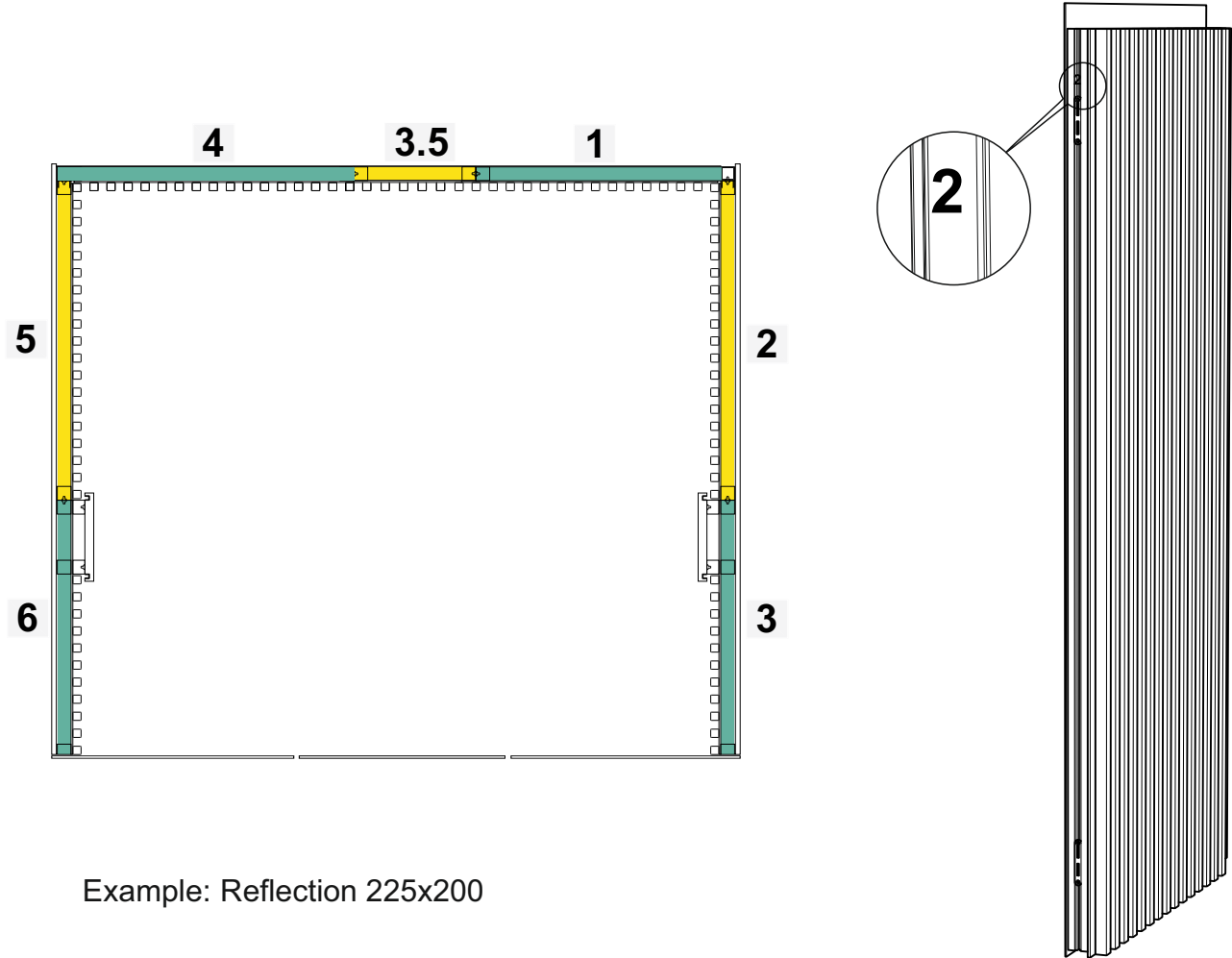
Website/Email: _____

If you have any questions about any aspect of your sauna's set-up, operation or maintenance, contact your authorized **Tylö** dealership. They are trained professionals who are familiar with the product as well as new sauna ownership concerns. Their expertise will facilitate the enjoyment of your new **Tylö** sauna.

IMPORTANT: SAUNA360 reserves the right to change specifications or design without notification and without incurring any obligation.

Wall numbering

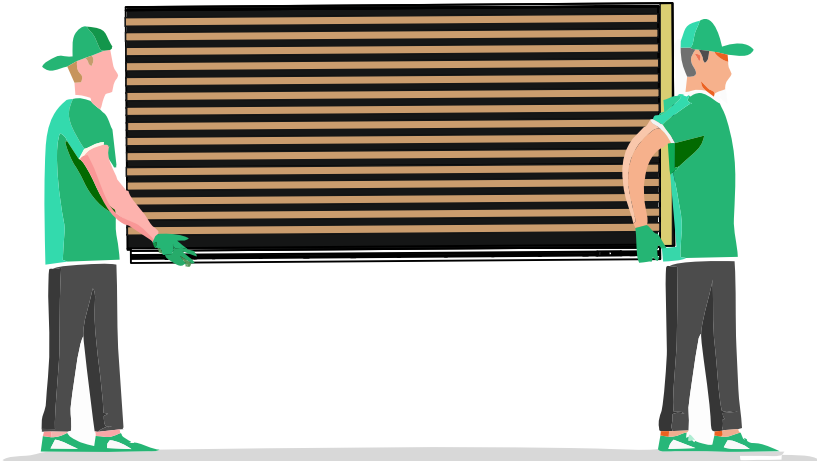
The walls are numbered on the side. The corresponding number is on the layout.



Example: Reflection 225x200

CAUTION

The walls, ceiling and glass are heavy. Two people are needed to assemble the room..



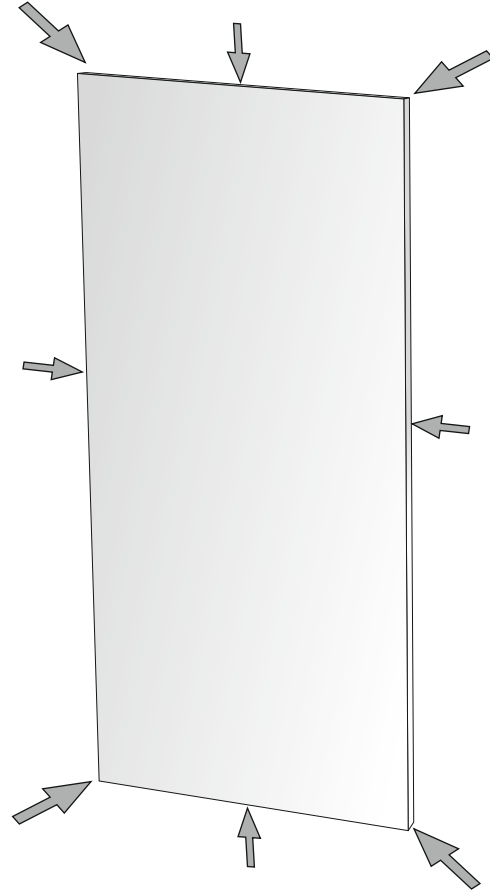
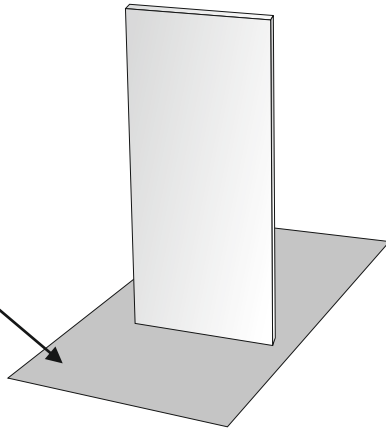
Warning!

Handle with care! Protect edges and corners from knocks and impacts.

Information

Tip!

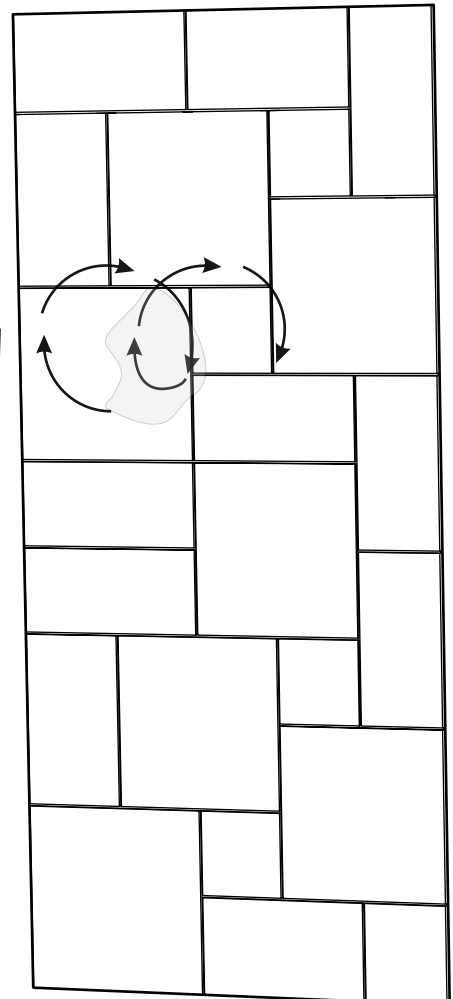
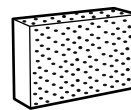
Use as a protection when handling the glass wall.



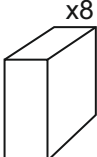
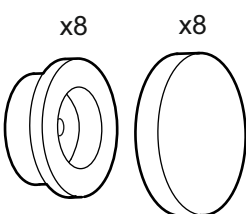
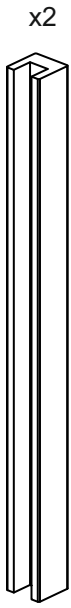
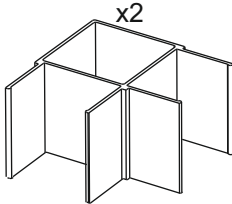
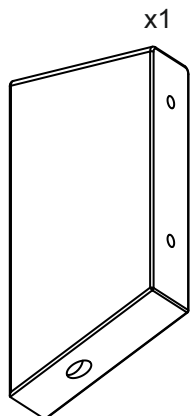
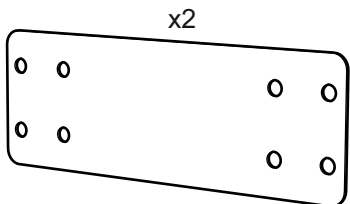
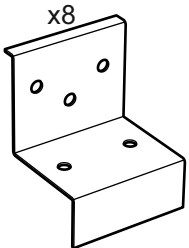
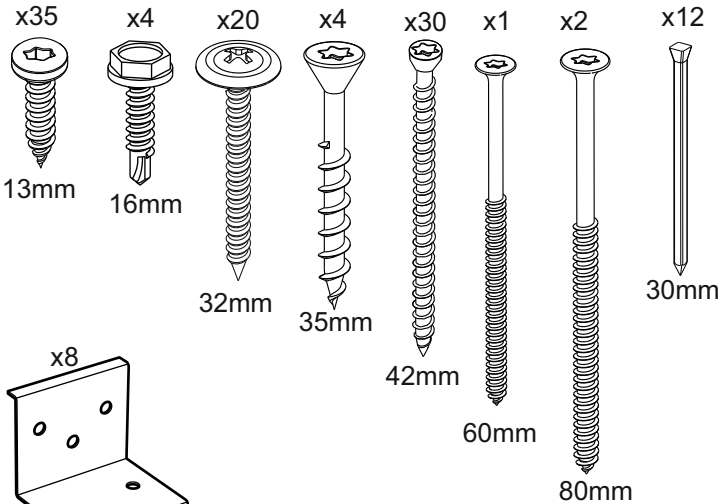
Handling and care of Grey boards

Dampen a soft cloth with clean water and wipe down the surface.

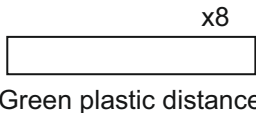
For “difficult” stains (such as grease, grime, etc.), use the included sanding block and rub in a rotating pattern. Brush clean and finish by wiping down with a soft damp cloth



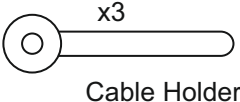
Information



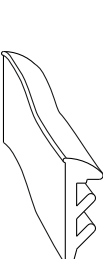
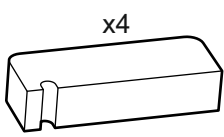
EPDM foam pieces



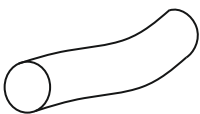
Green plastic distances



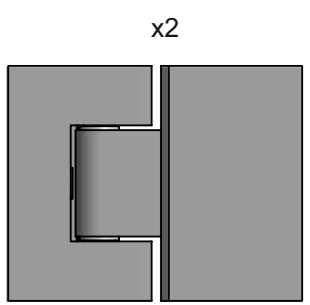
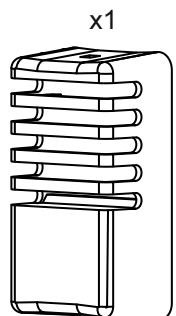
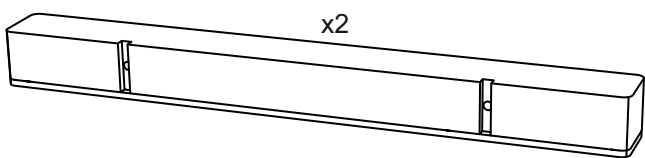
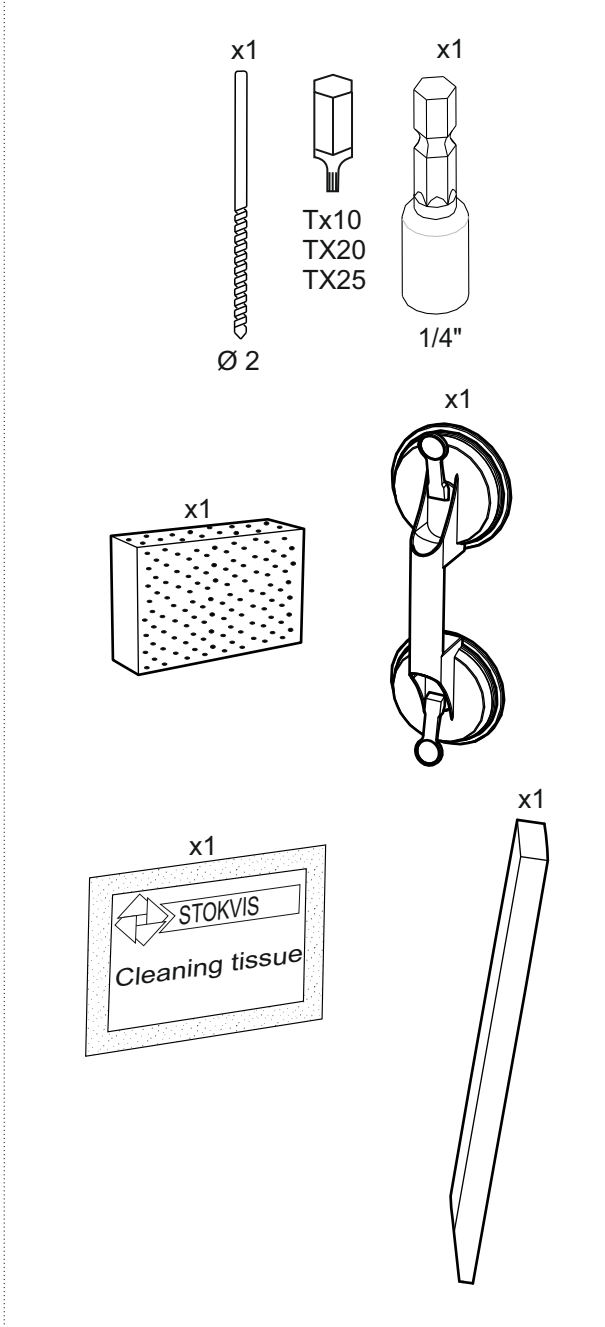
Cable Holder



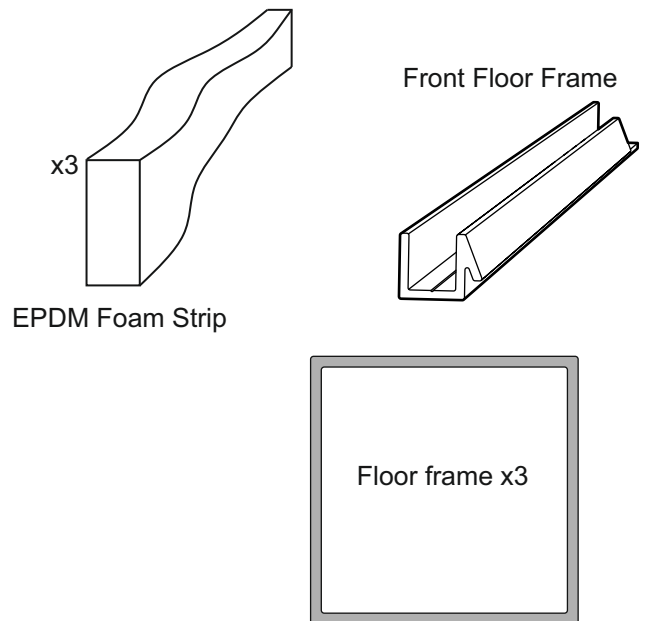
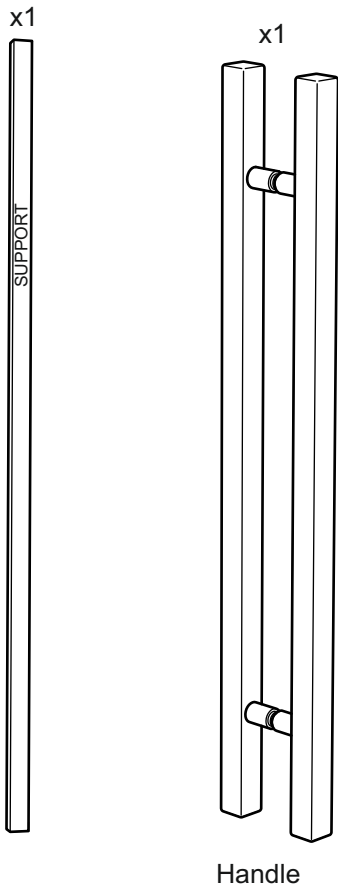
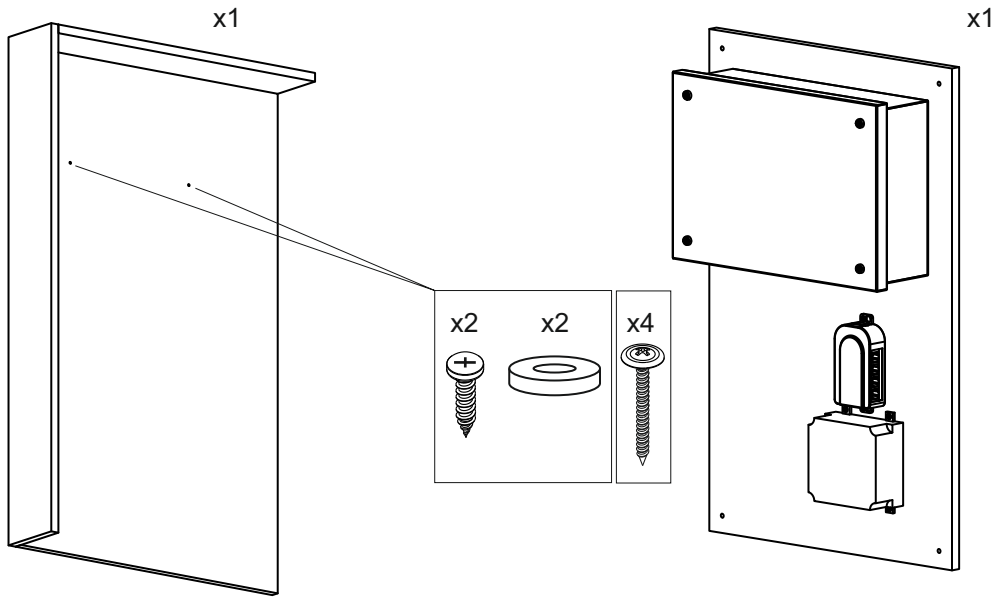
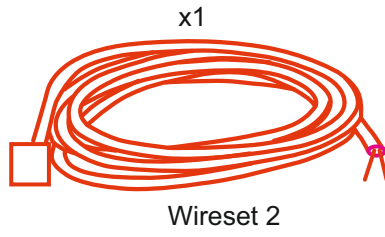
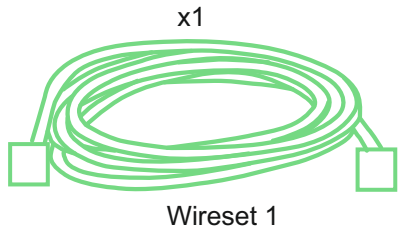
13x5mm



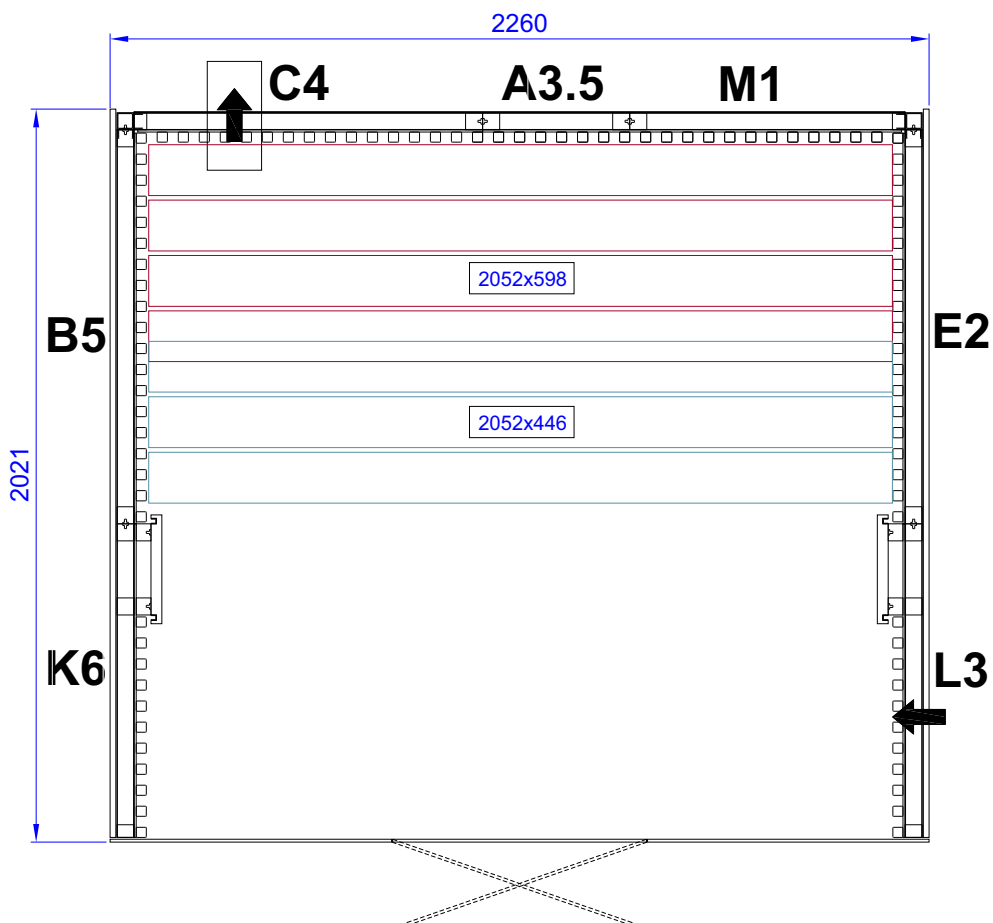
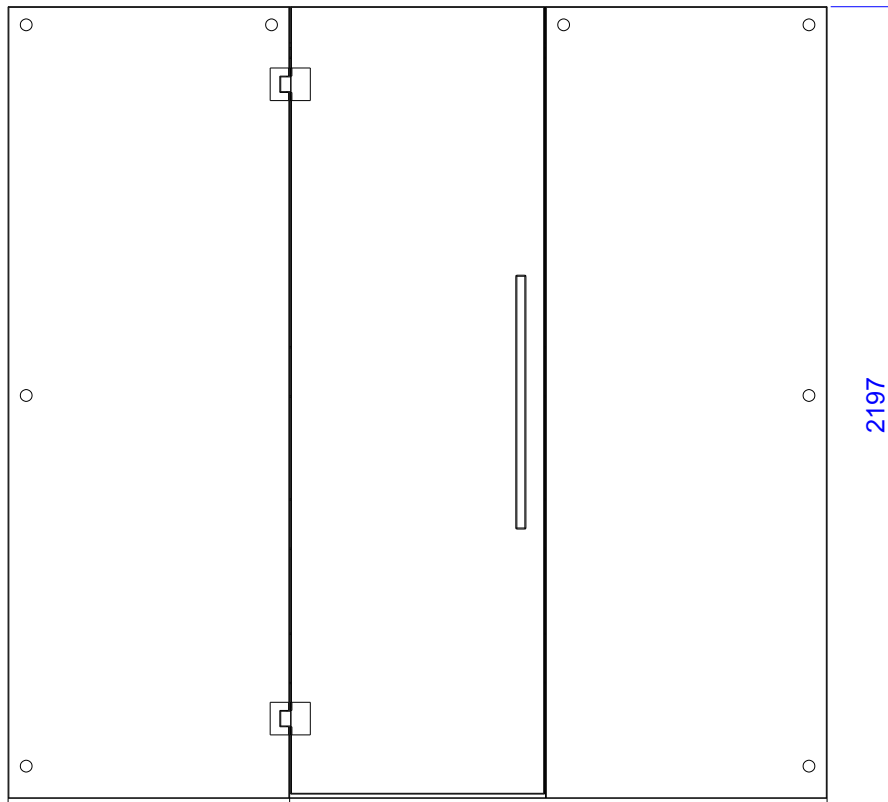
Dia. 15 mm



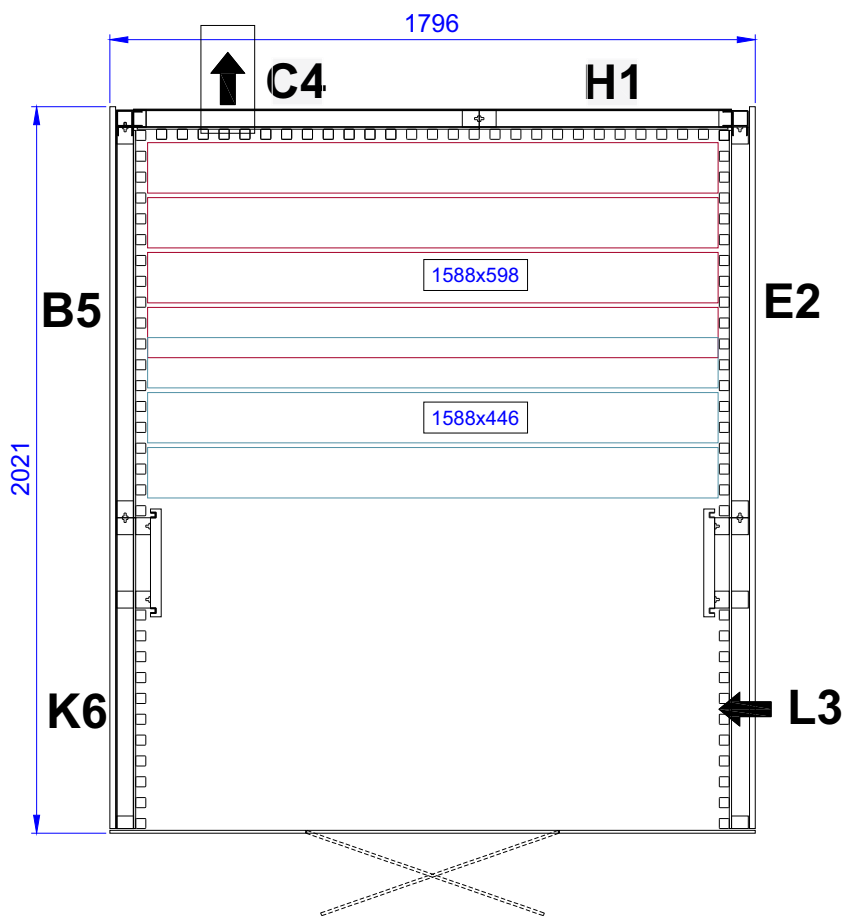
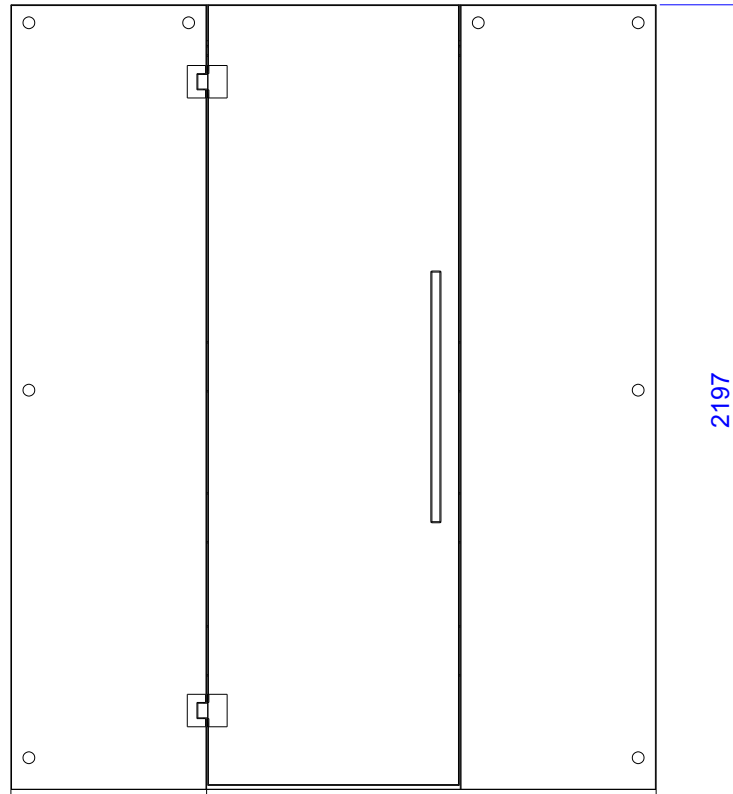
Wood profile



Layout Reflection Rib 225x200

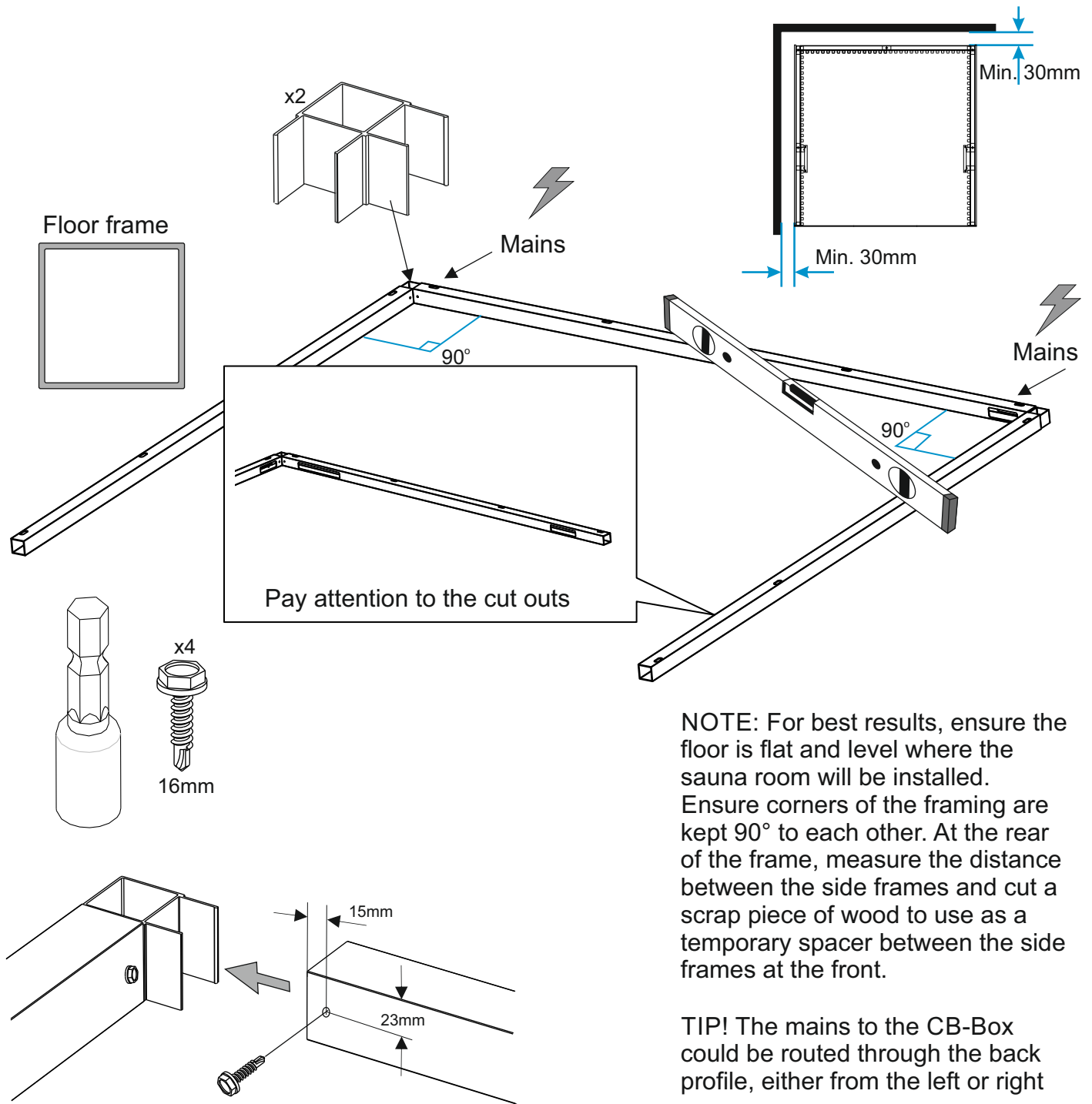


Layout Reflection Rib 180x200

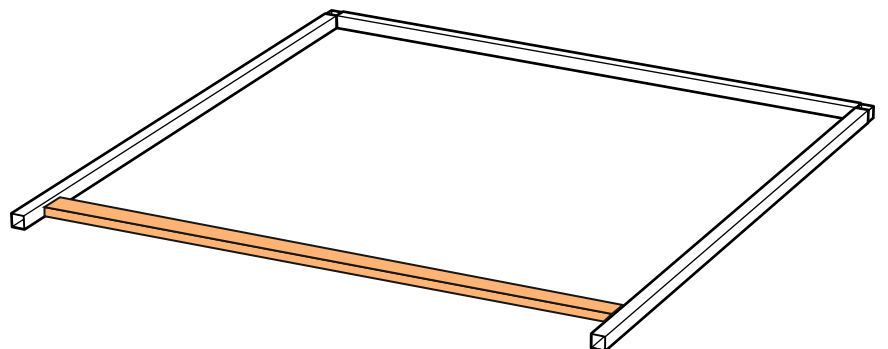


1

Note! The dimensions and illustrations provided in these instructions are based on a 225x200 mm sauna room. Your actual dimensions may vary.



TIP! To keep the dimensions of the floor frame correct, cut a board to the same dimensions as the rear floor frame and insert it into the front.



2

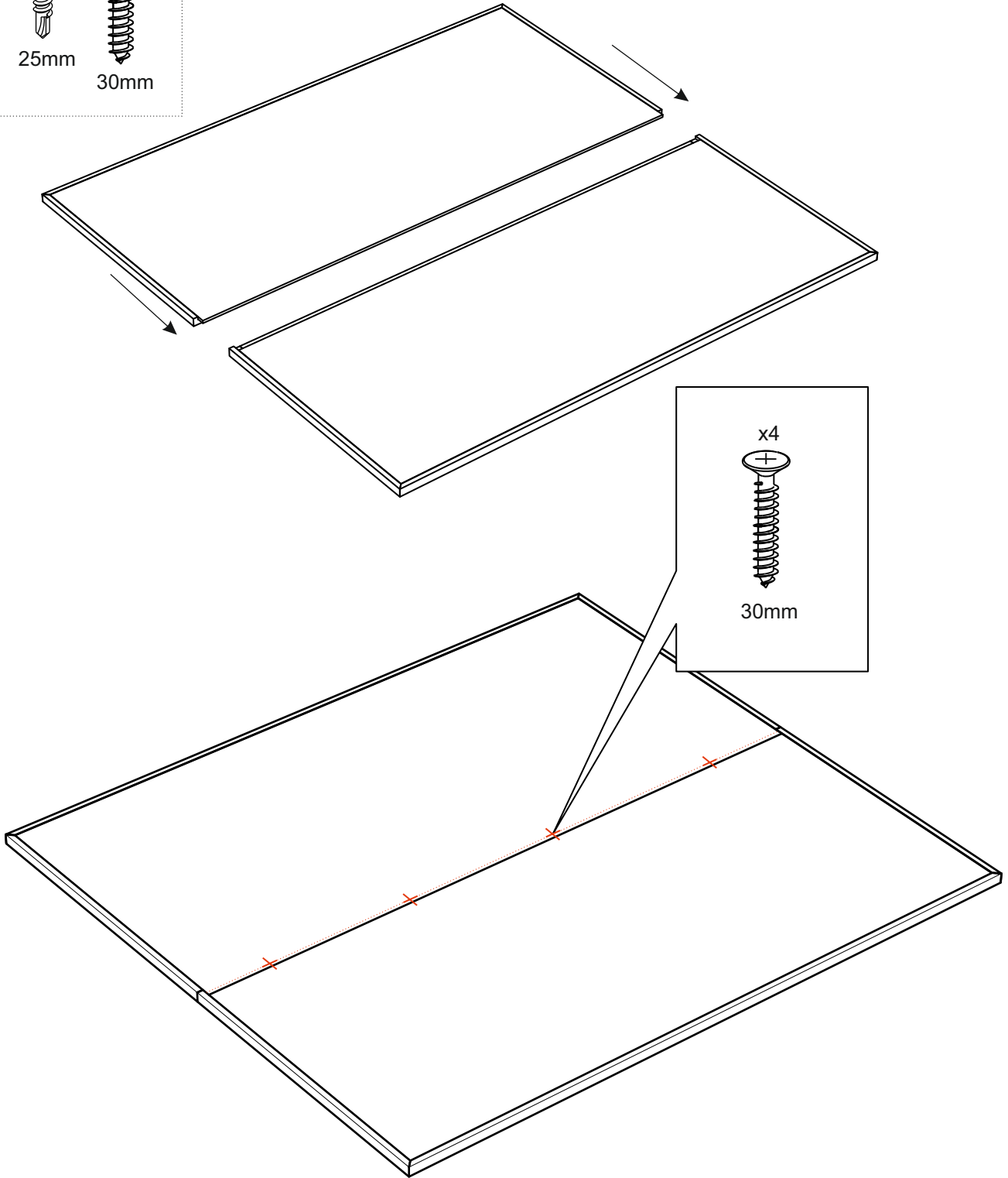
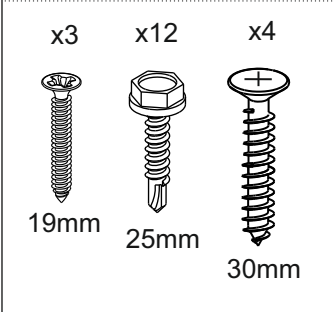
Optional floor:

Floor height is 35 mm.

When installing the floor, make it level.

Assemble the two floor parts together and fasten with 4 screws

If not using the floor, jump to step 6.

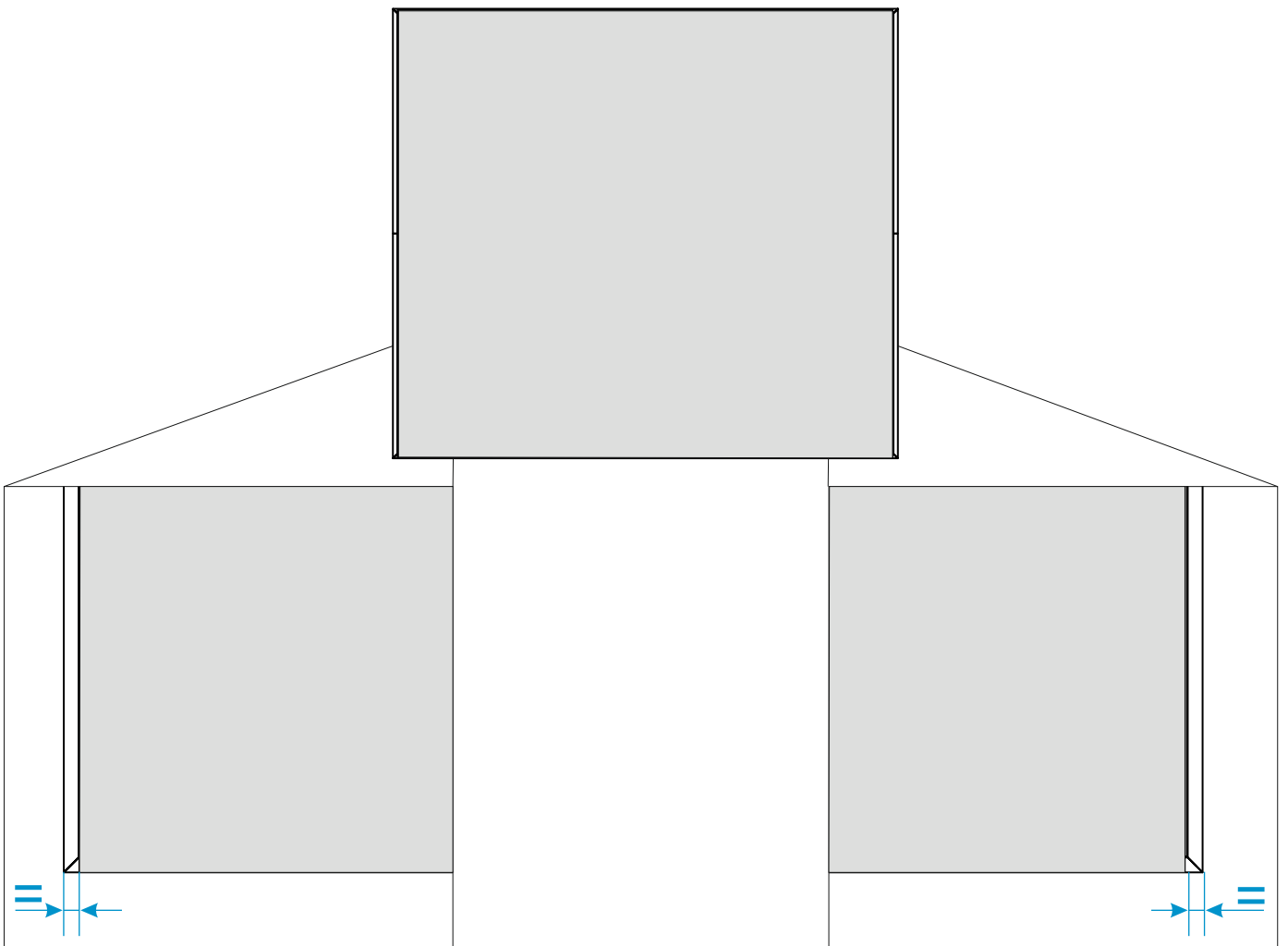
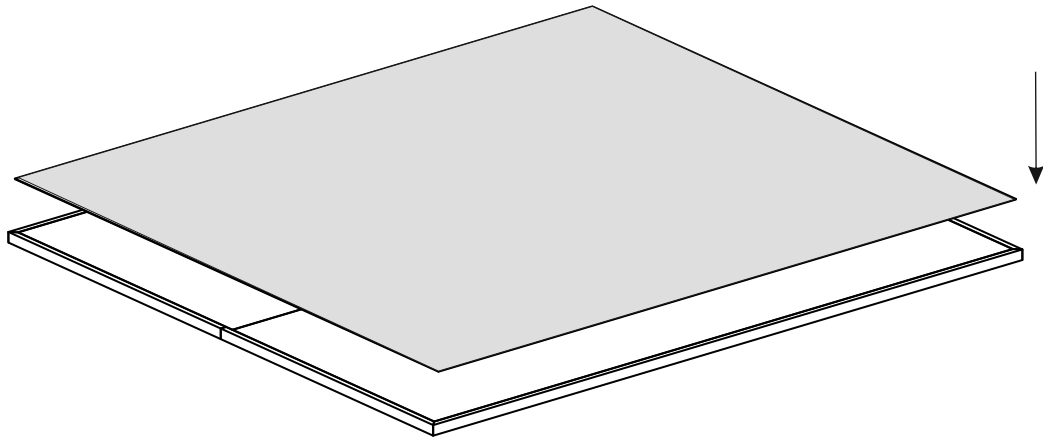


3

Roll out the vinyl floor centered in the middle, in the front, edge to edge.

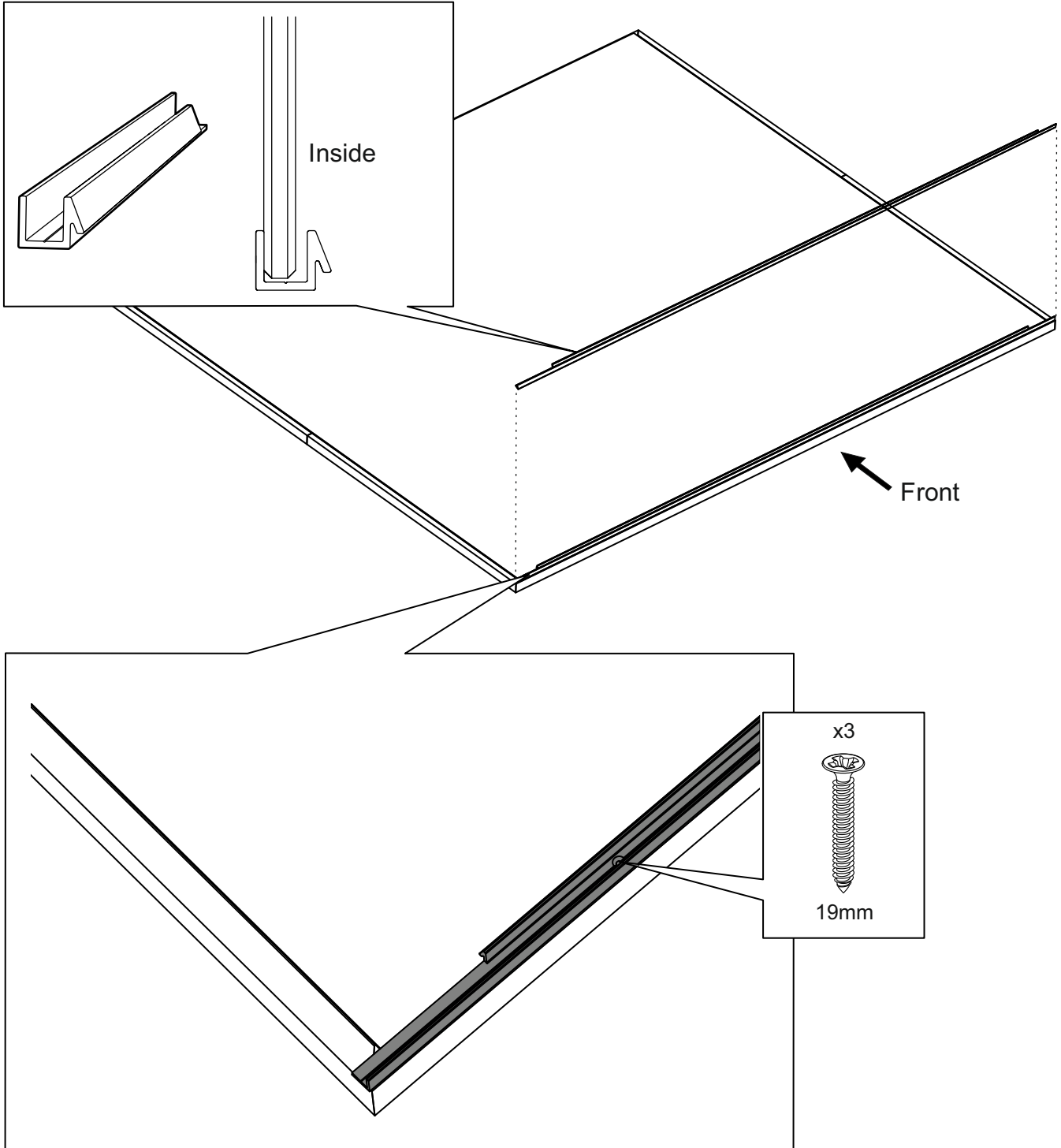
NOTE: The smoother surface up.

The vinyl is a little shorter and should not stick out outside the floor frame.



4

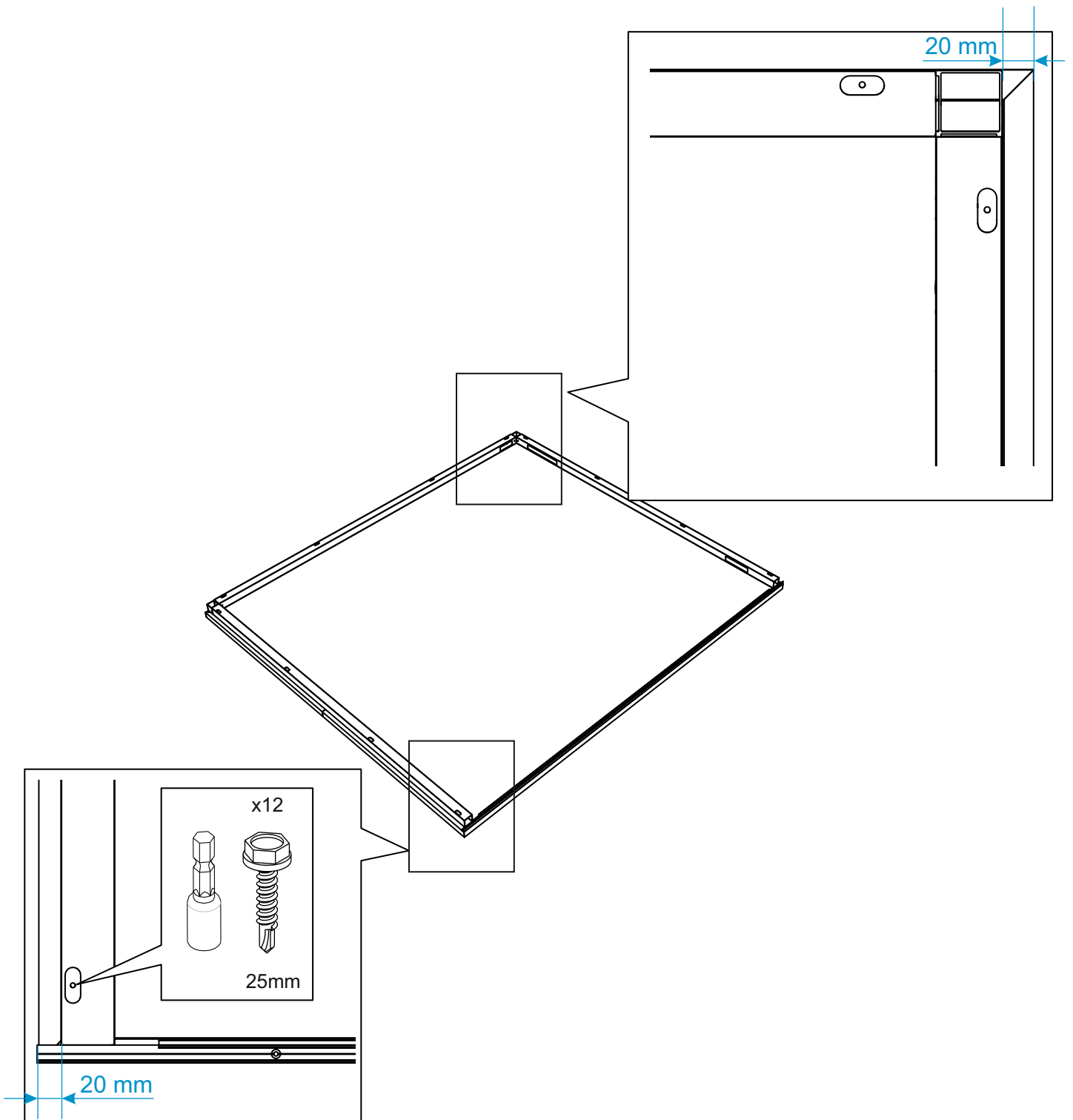
Mount the front profile edge to edge with the front of the floor and on the sides.
Fasten with 3 screws in the 3 holes



5

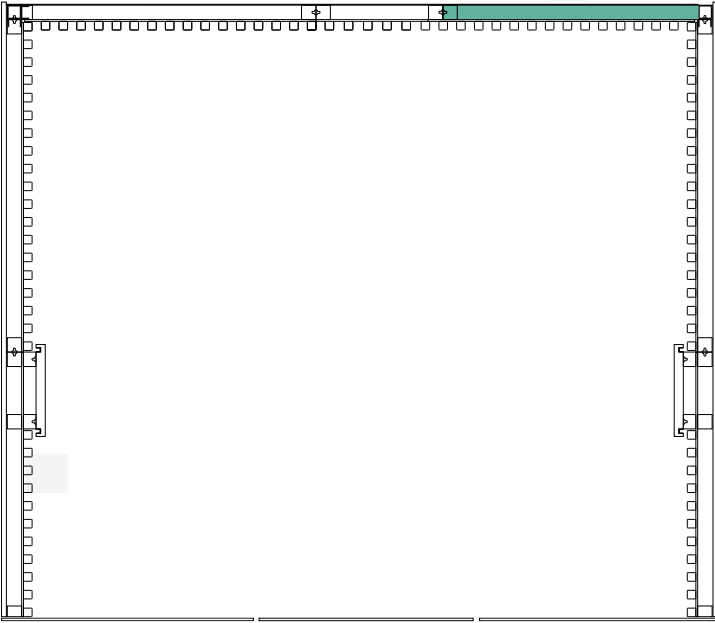
Assemble the floor frame (see page 7).
Put it centered on the floor, push it against the front profile.

This will give perfectly perpendicular angles for the room assembly. Screw through the top oblong holes from above into the frame and through the vinyl mat. This will give a water barrier as well as hold the vinyl in place.

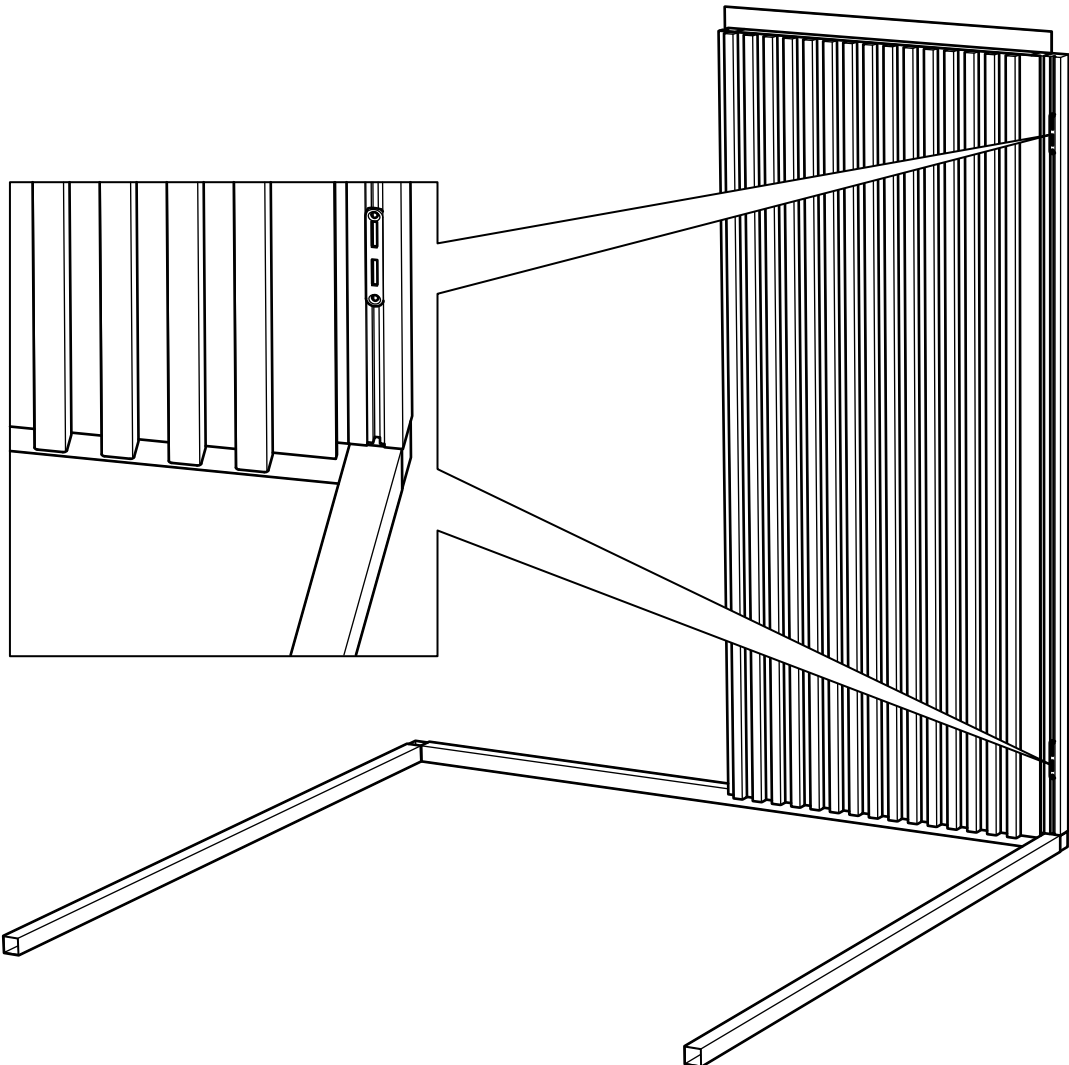


6

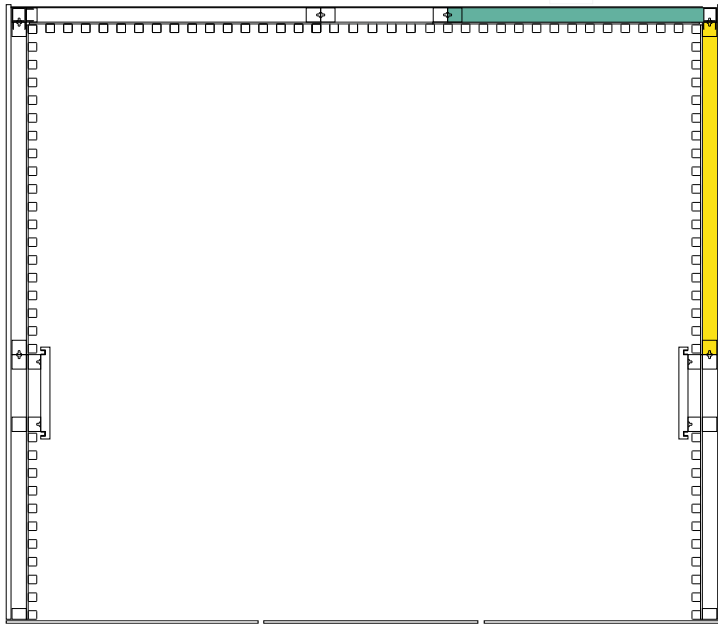
1



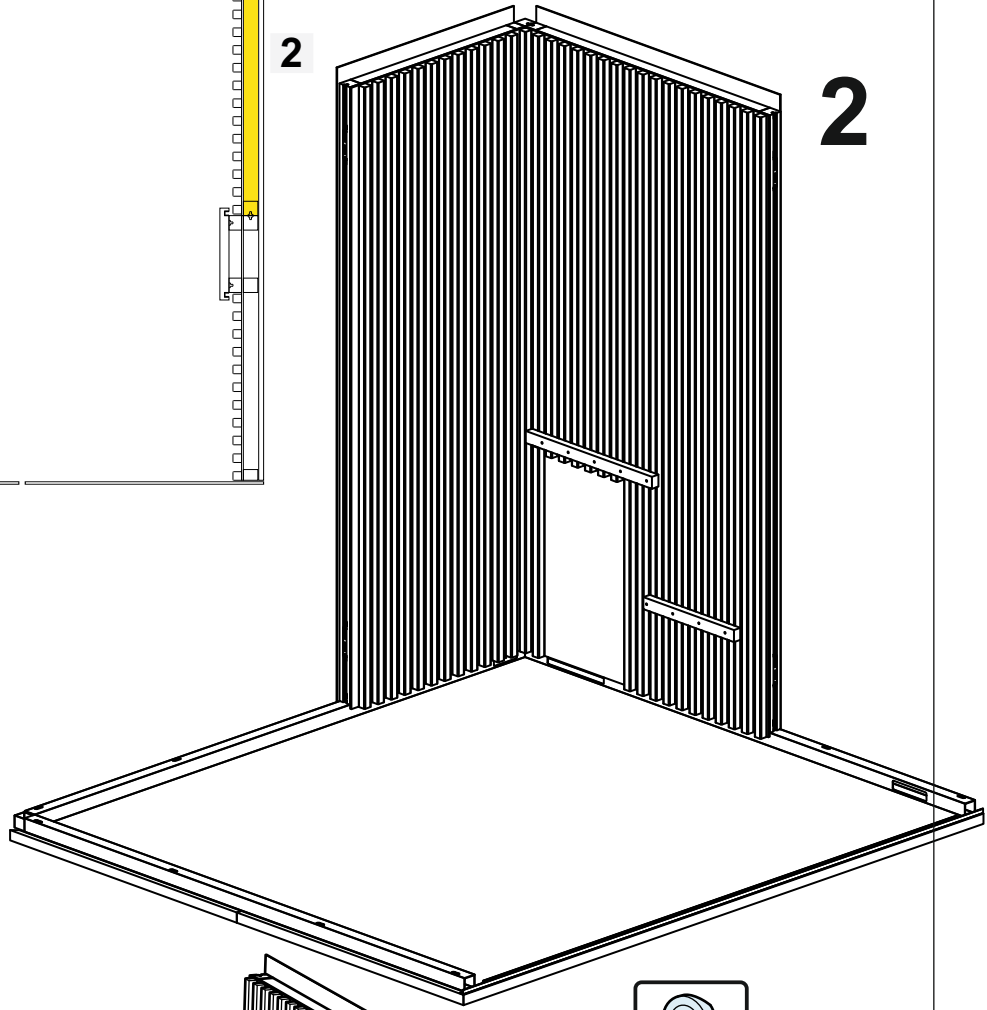
1



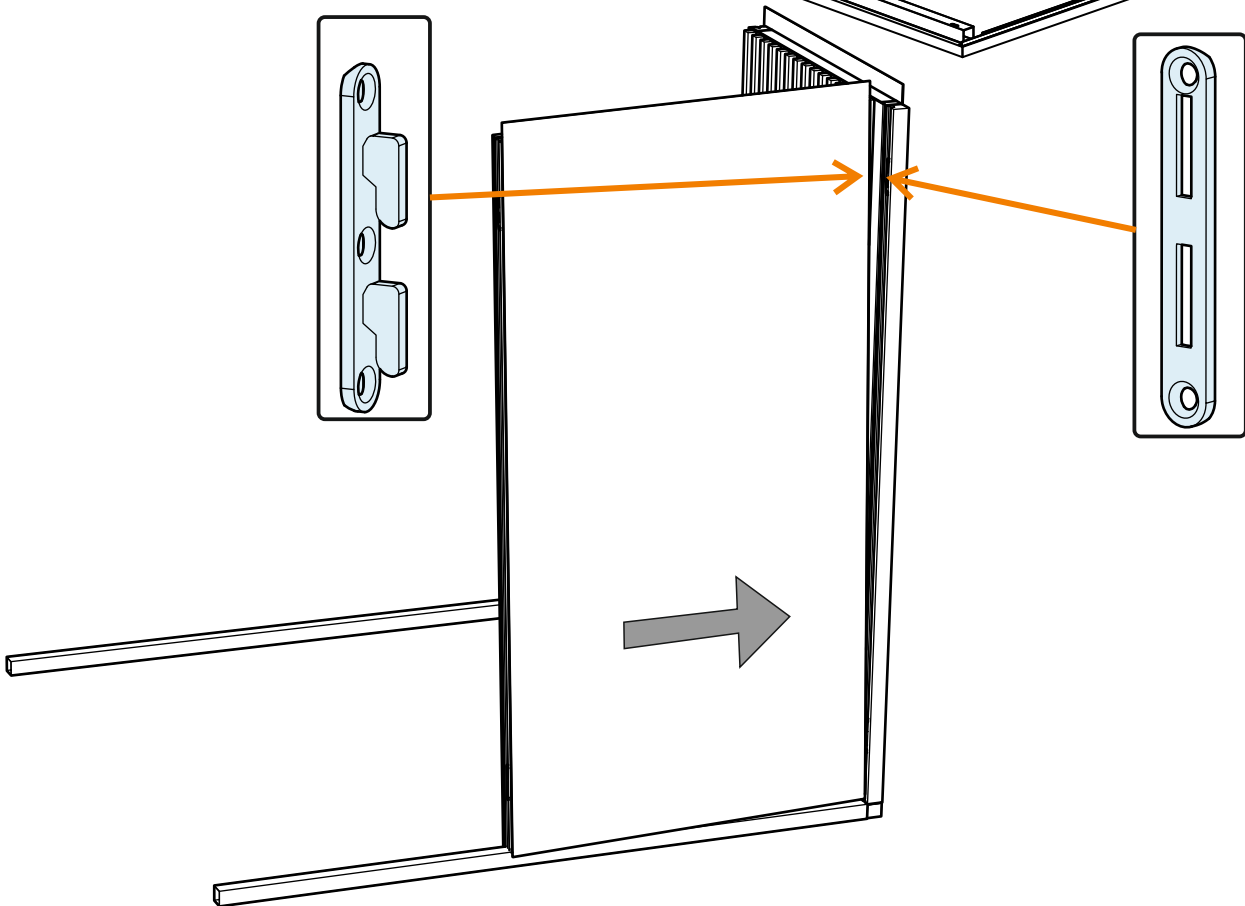
7



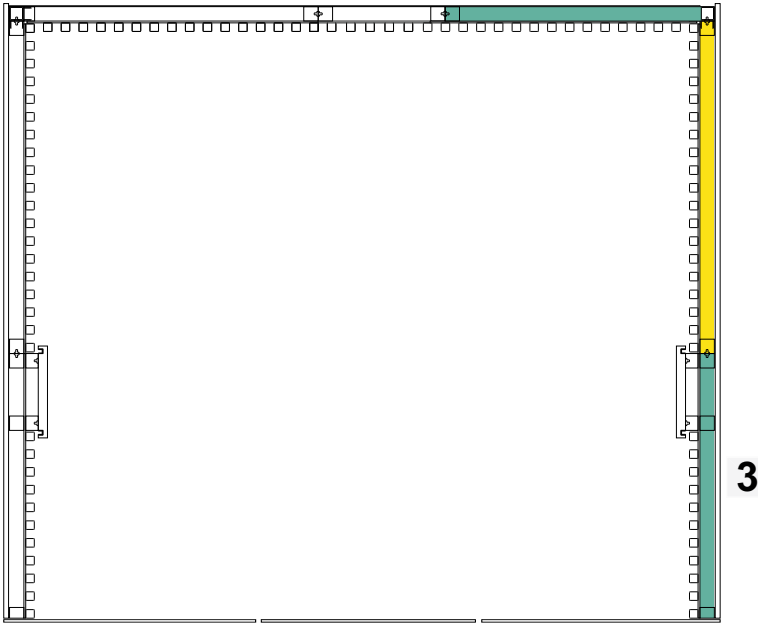
2



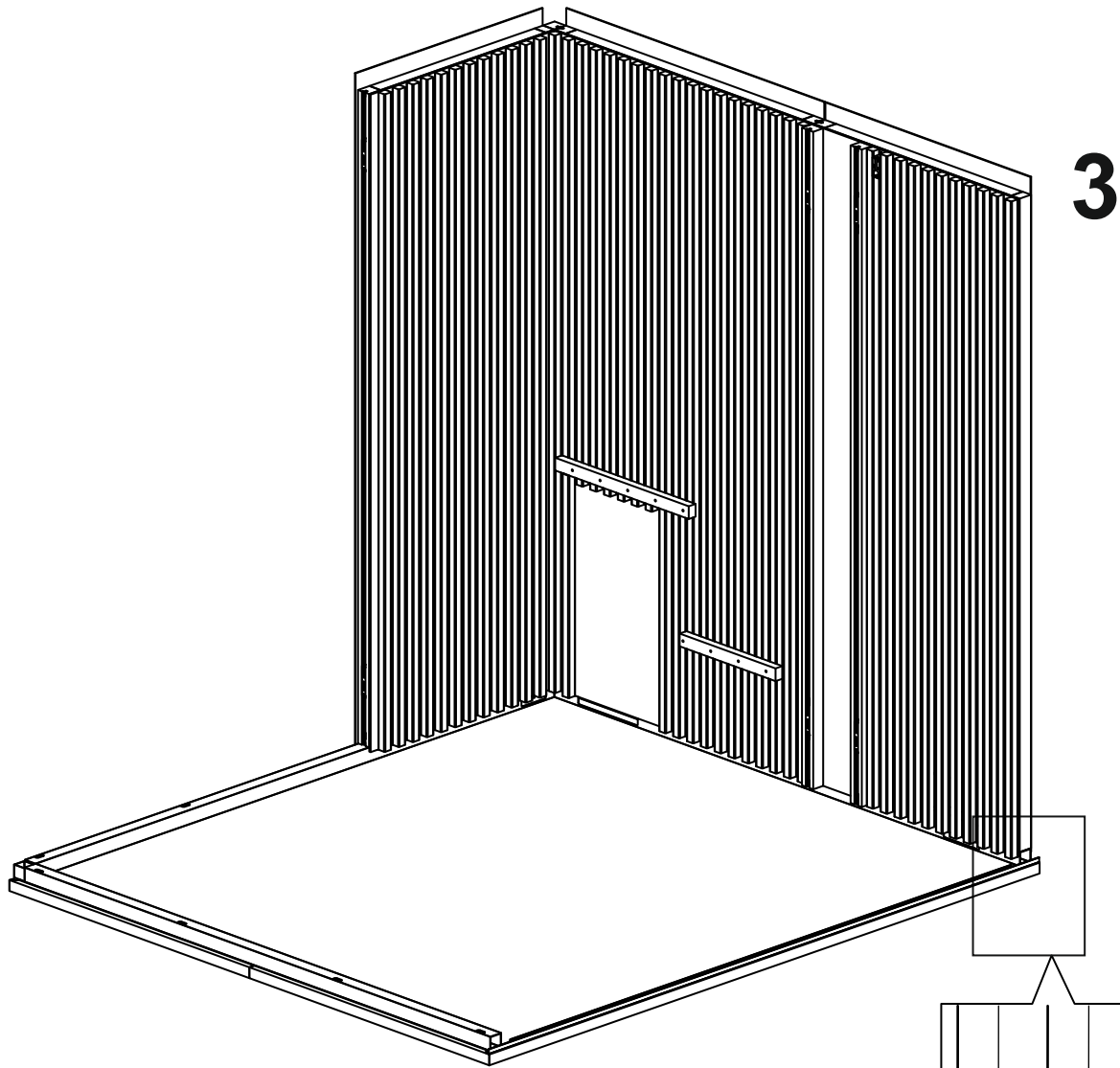
2



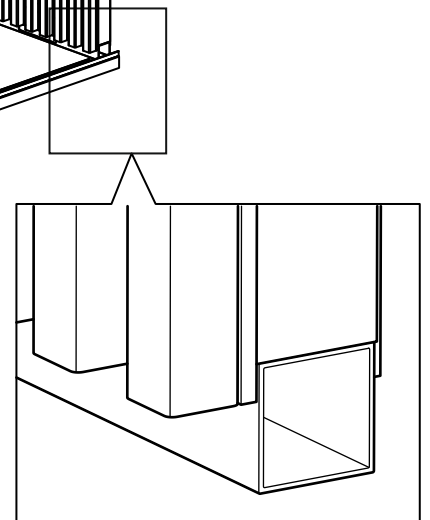
8



3

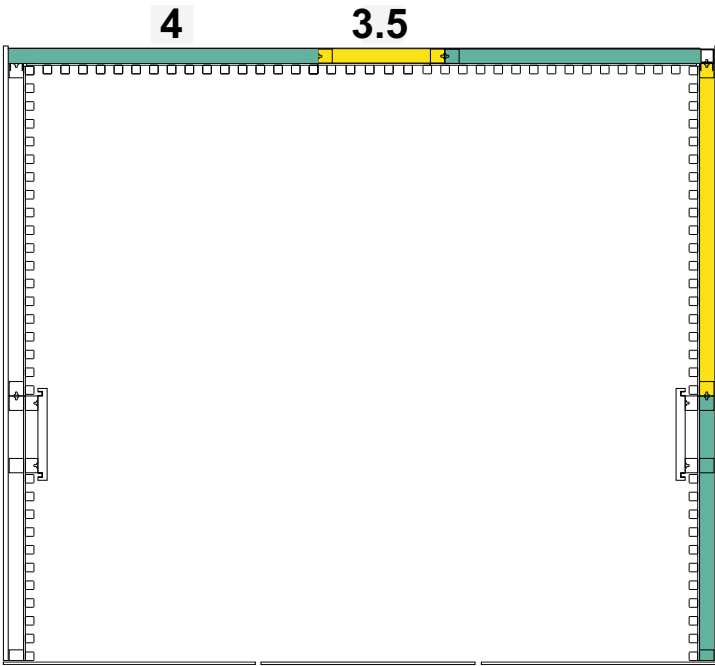


3

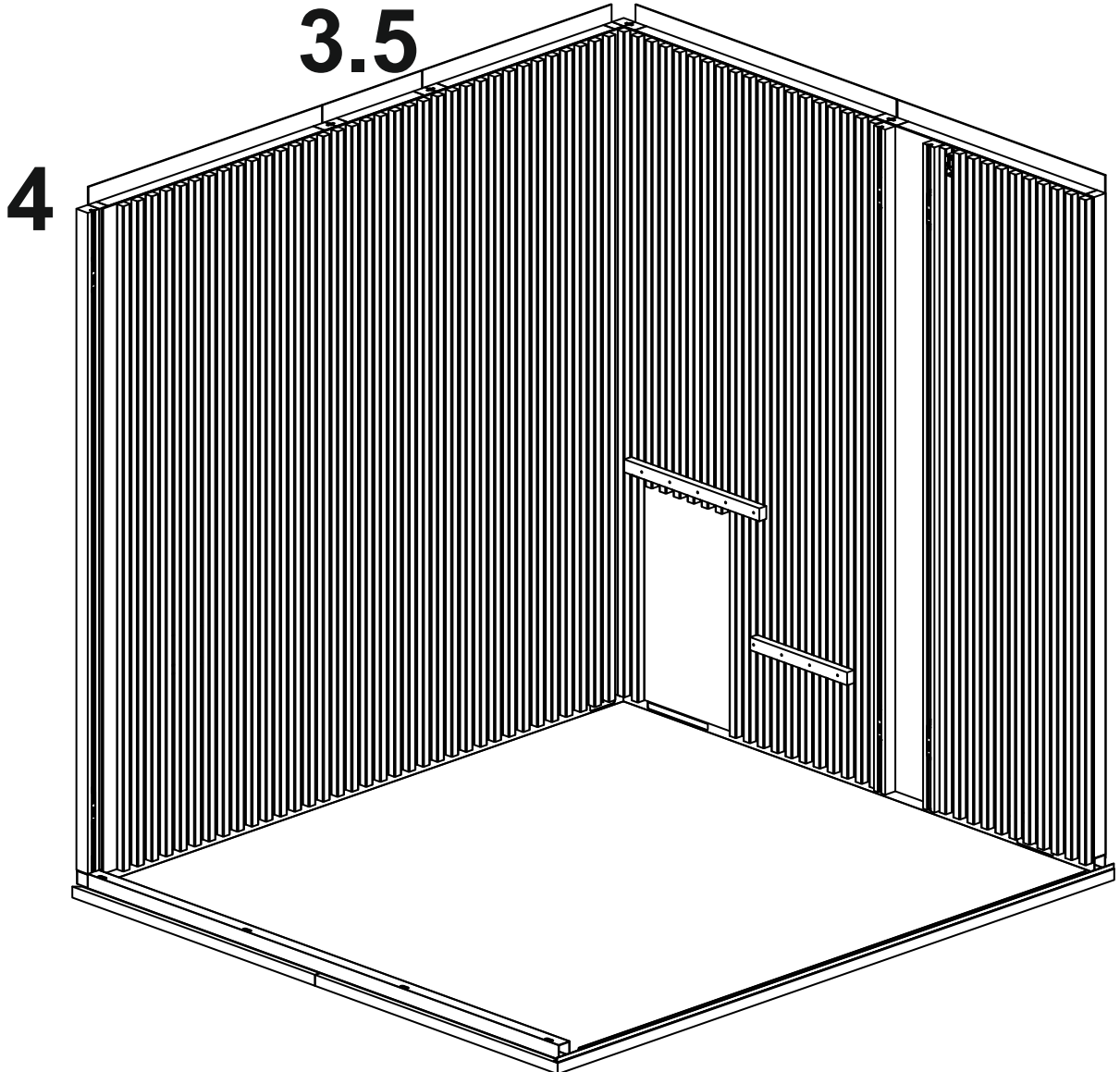


The wall must be placed edge to edge with the floor frame profile.

9



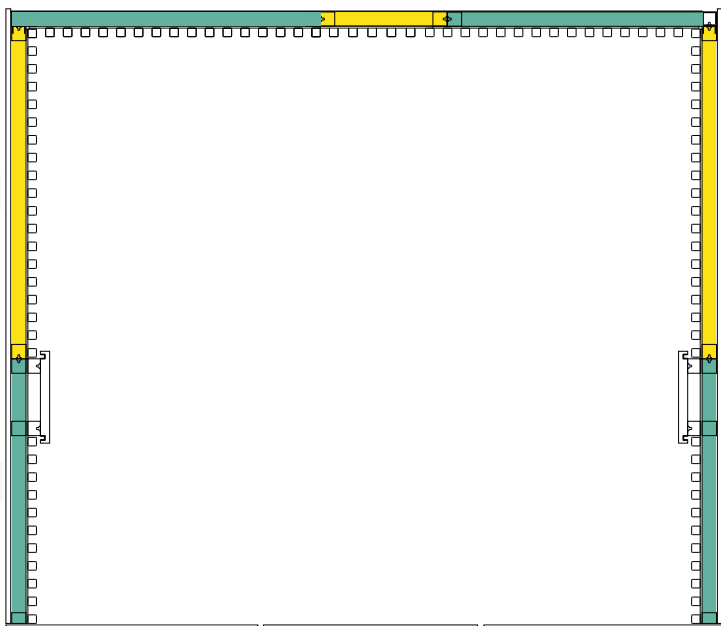
Note:
Wall 3.5 only in Reflection 225x200.



10

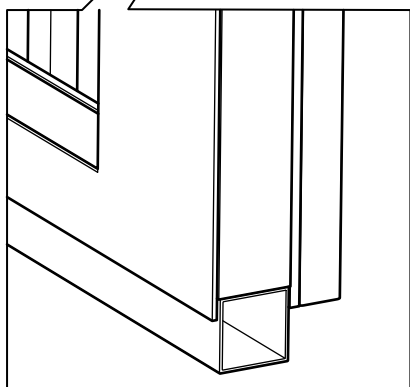
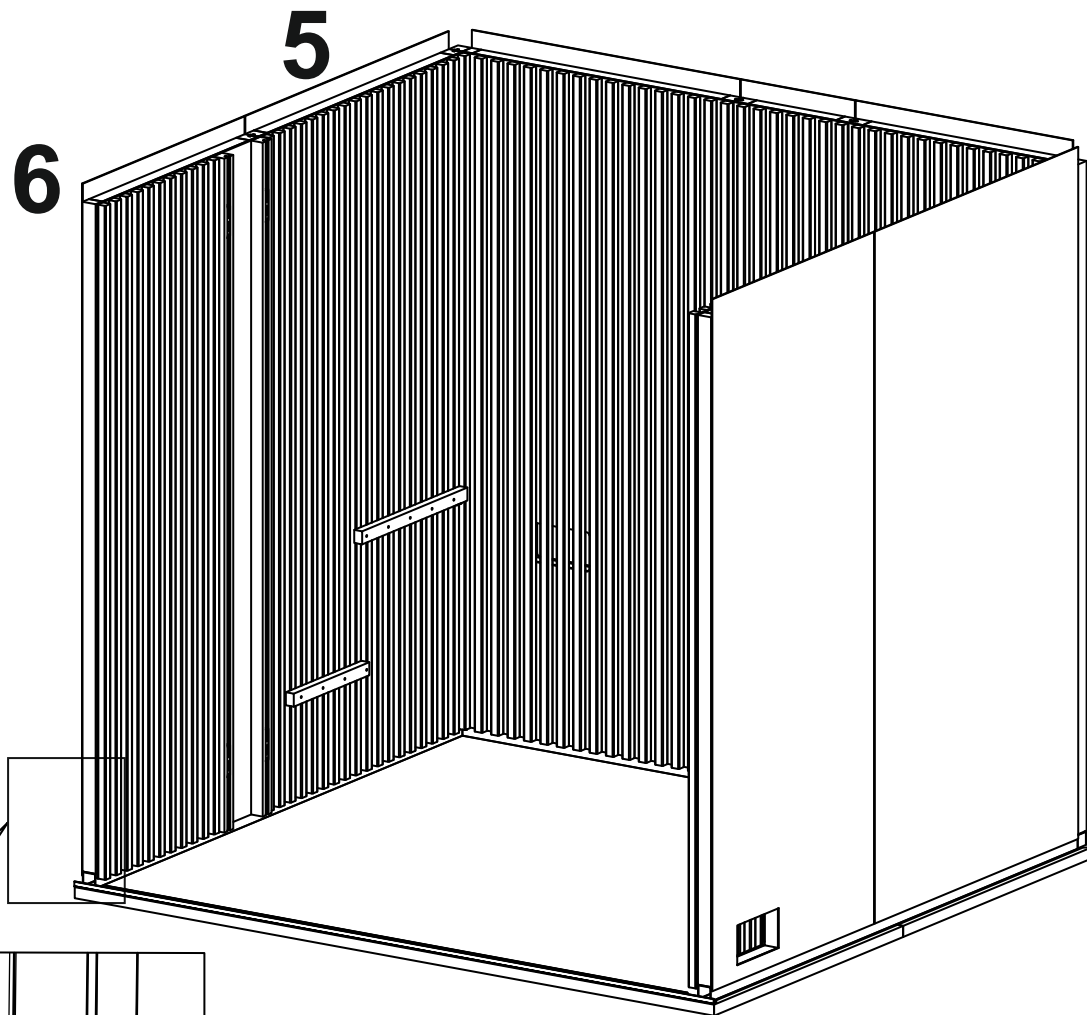
5

6

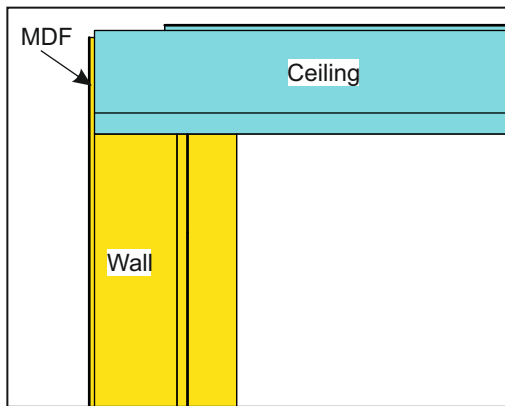
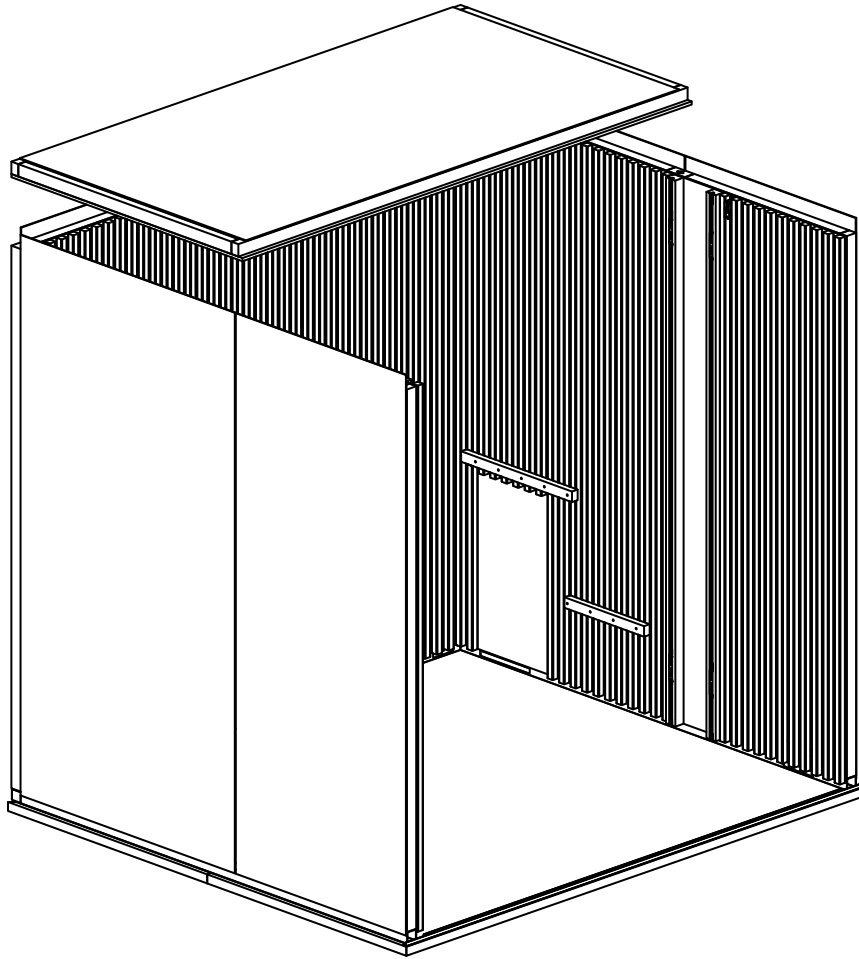


5

6

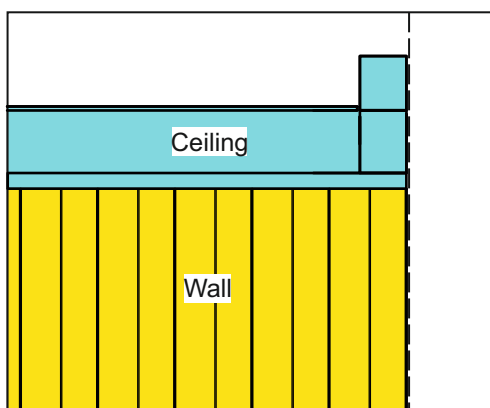
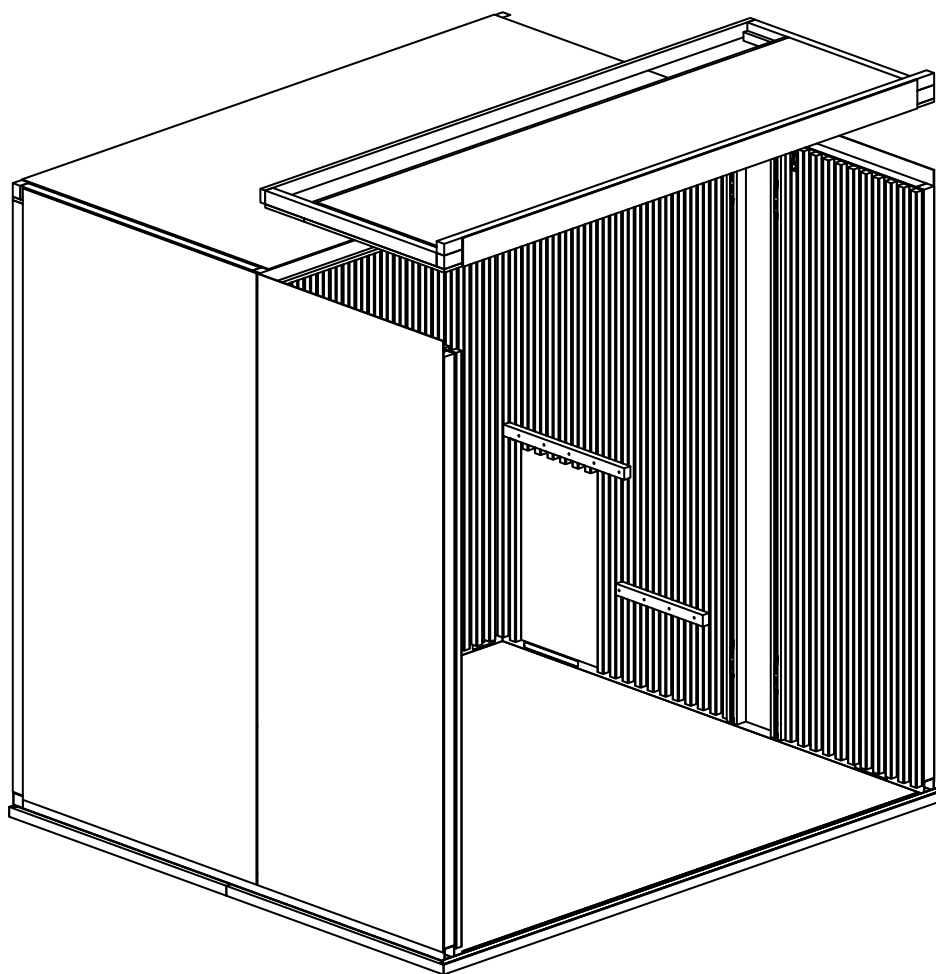


The wall must be placed edge to edge with the floor frame profile.



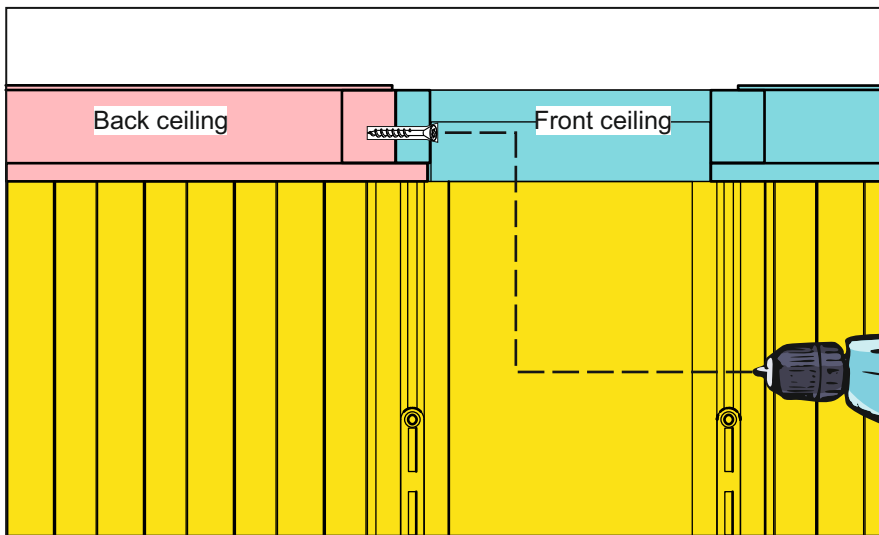
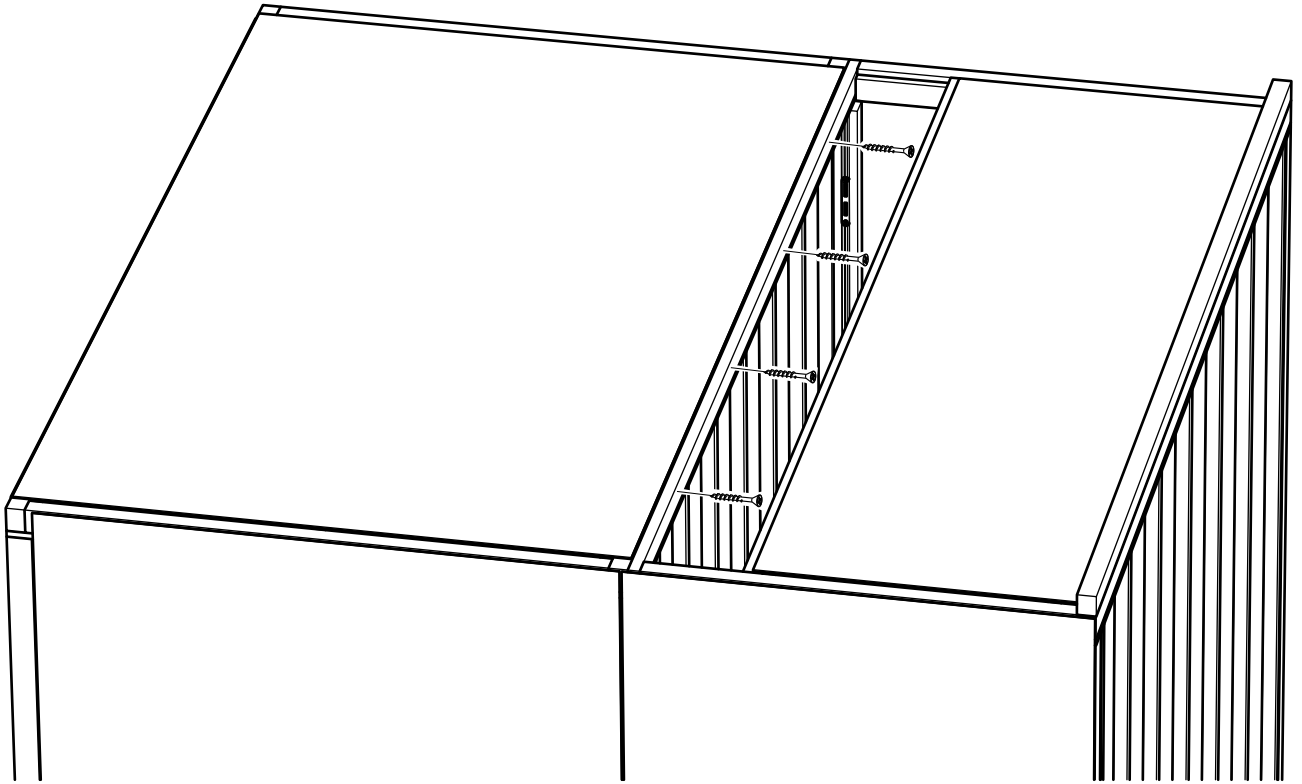
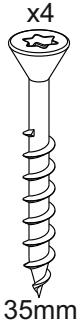
The ceiling should lie against the mdf which is on the back of the walls.

12



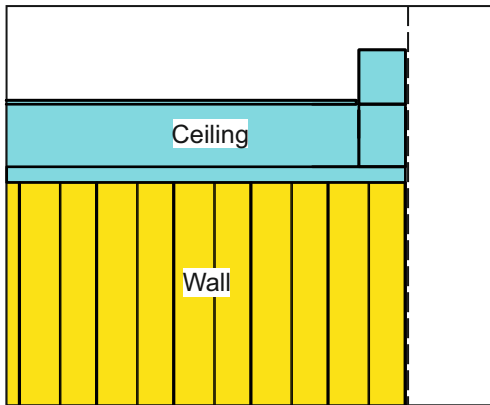
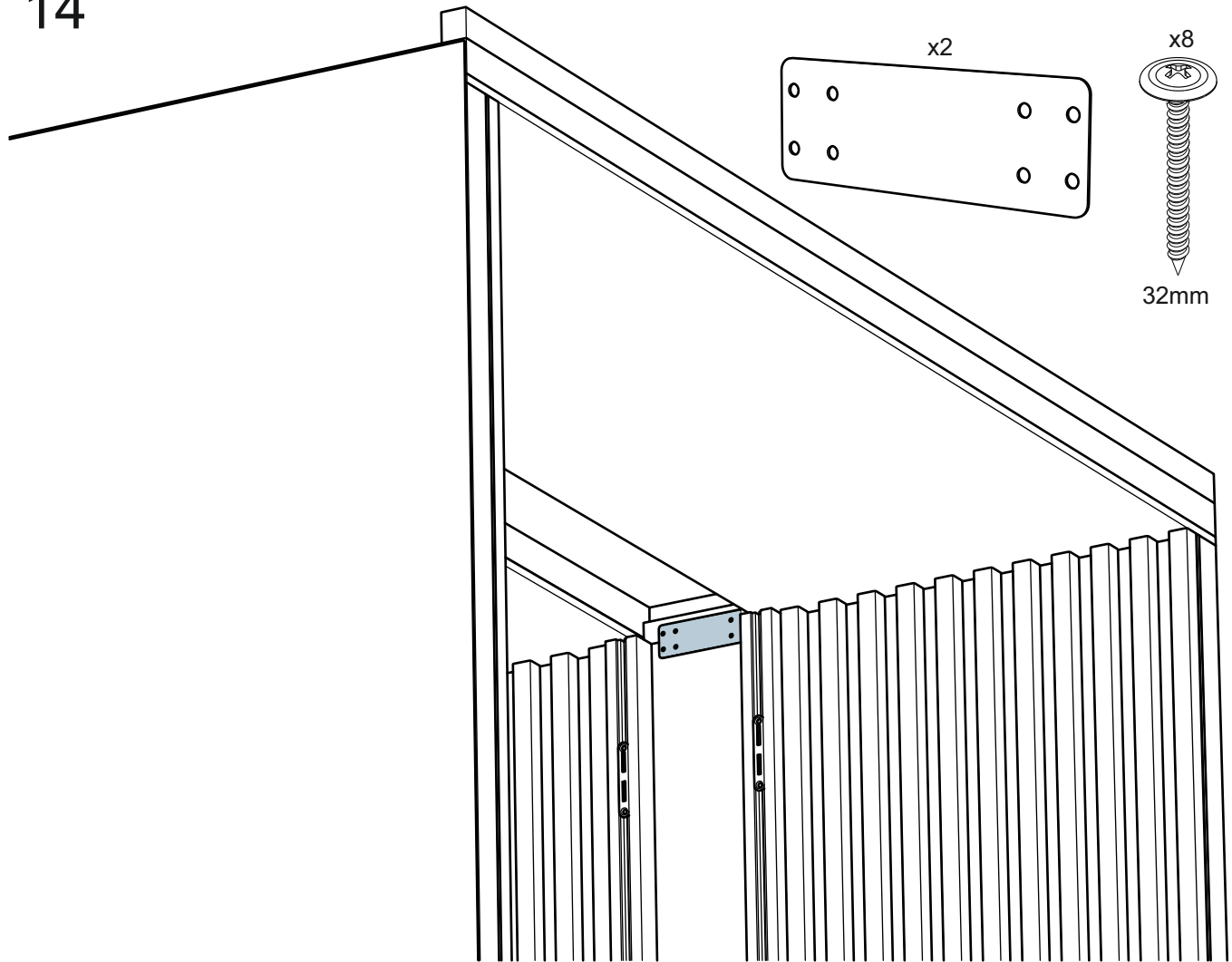
Place the front ceiling so that it lines up with the front wall.

13

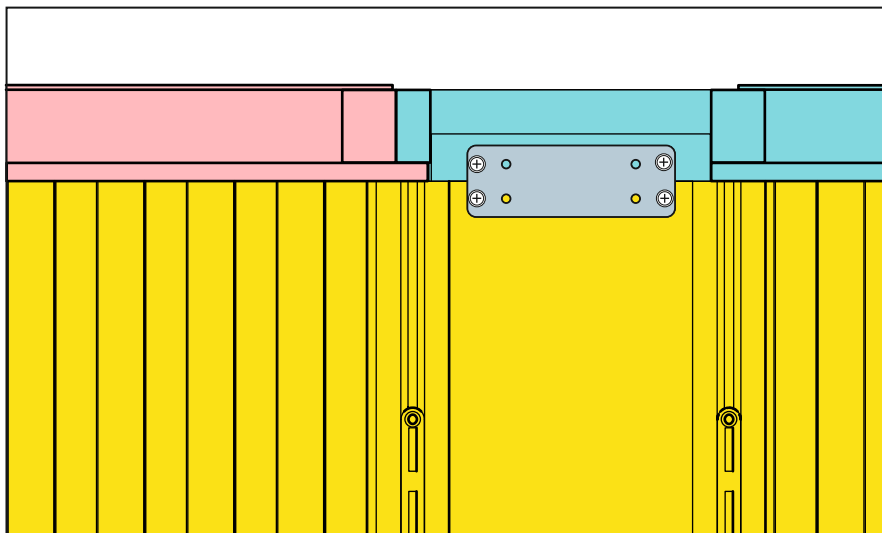


Screw the two ceilings together in the space for the ceiling portal.

14

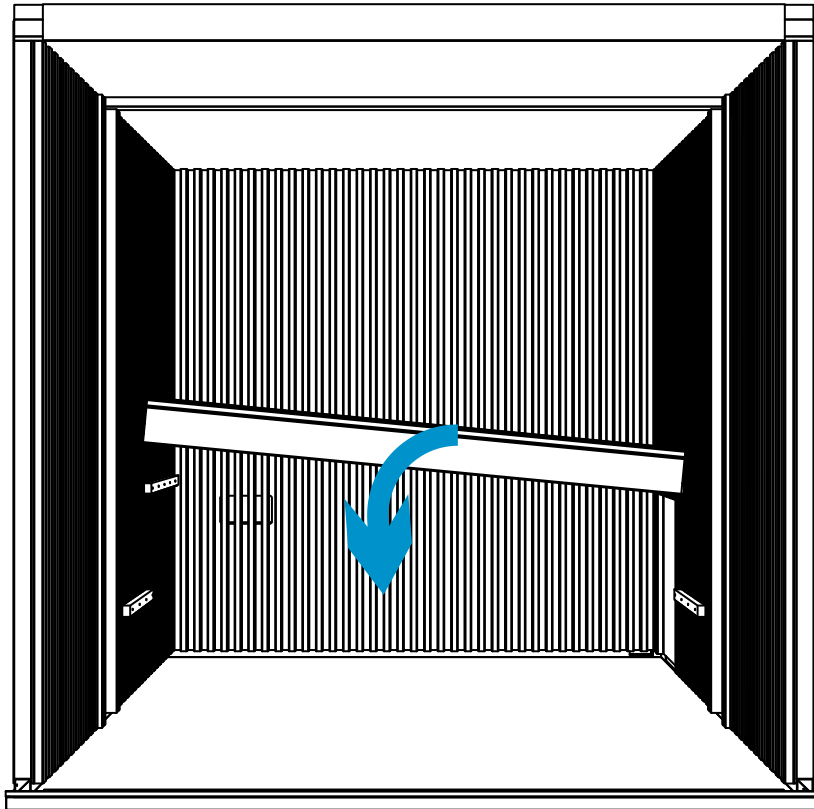


Check that the front roof and front walls line up with each other.

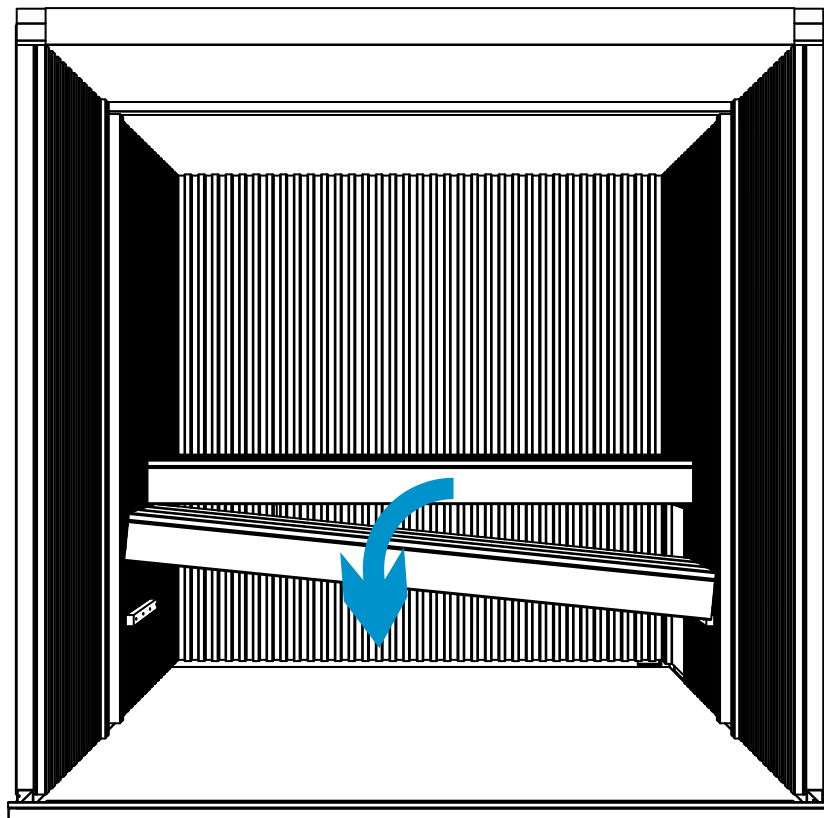


Screw the fastening plate with 4 screws between the front ceiling and wall. Do it on both sides.

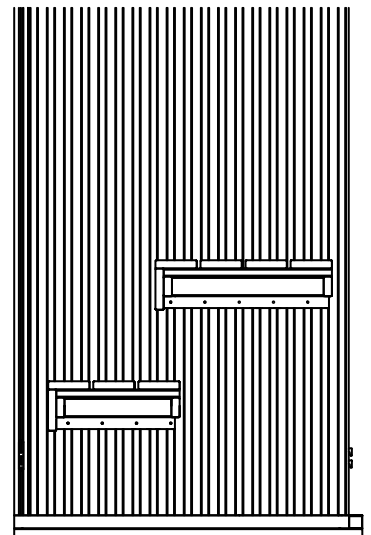
15



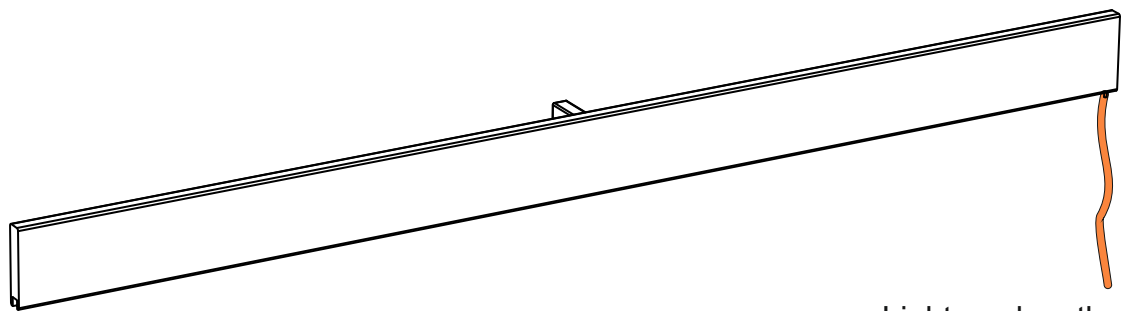
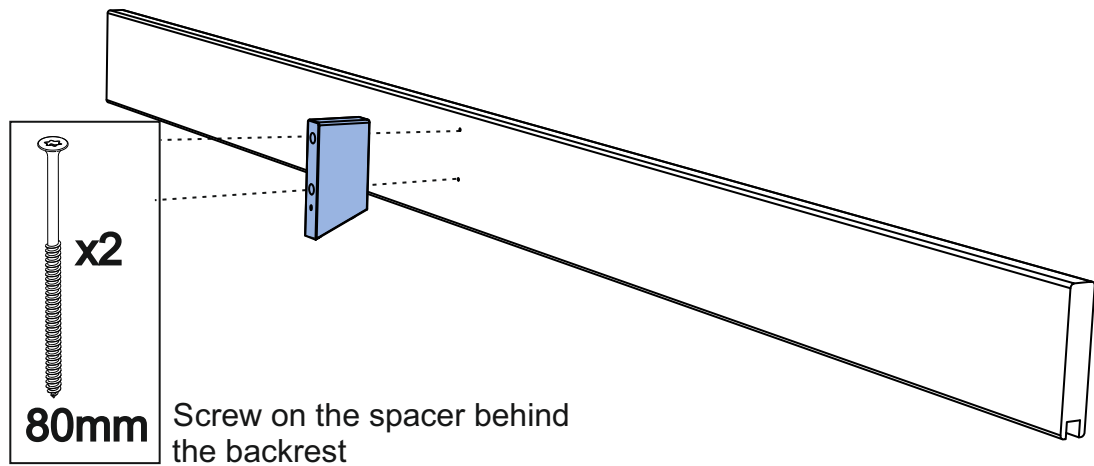
Put first the upper large bench in place.



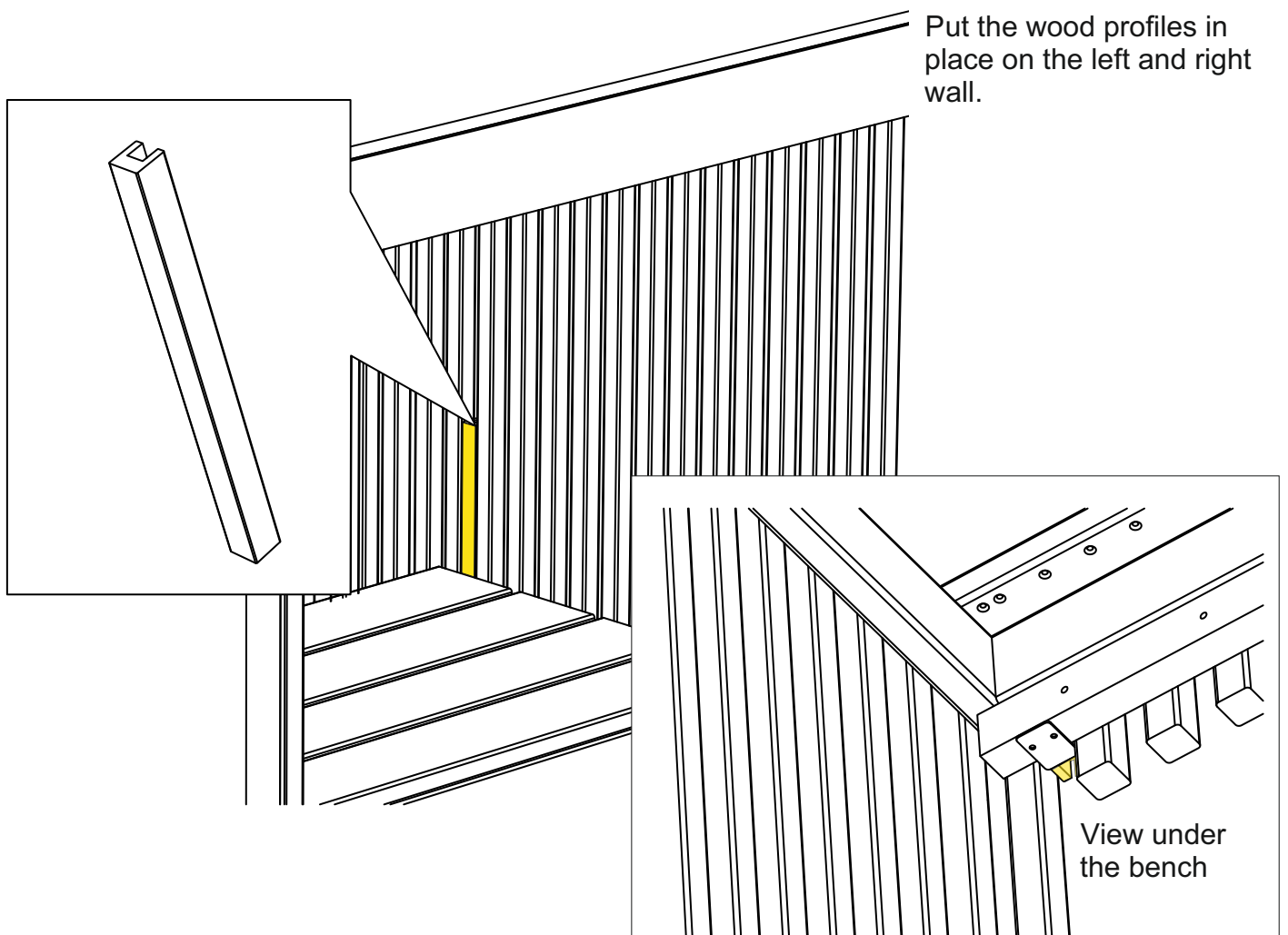
Put the lower smaller bench in place.



16

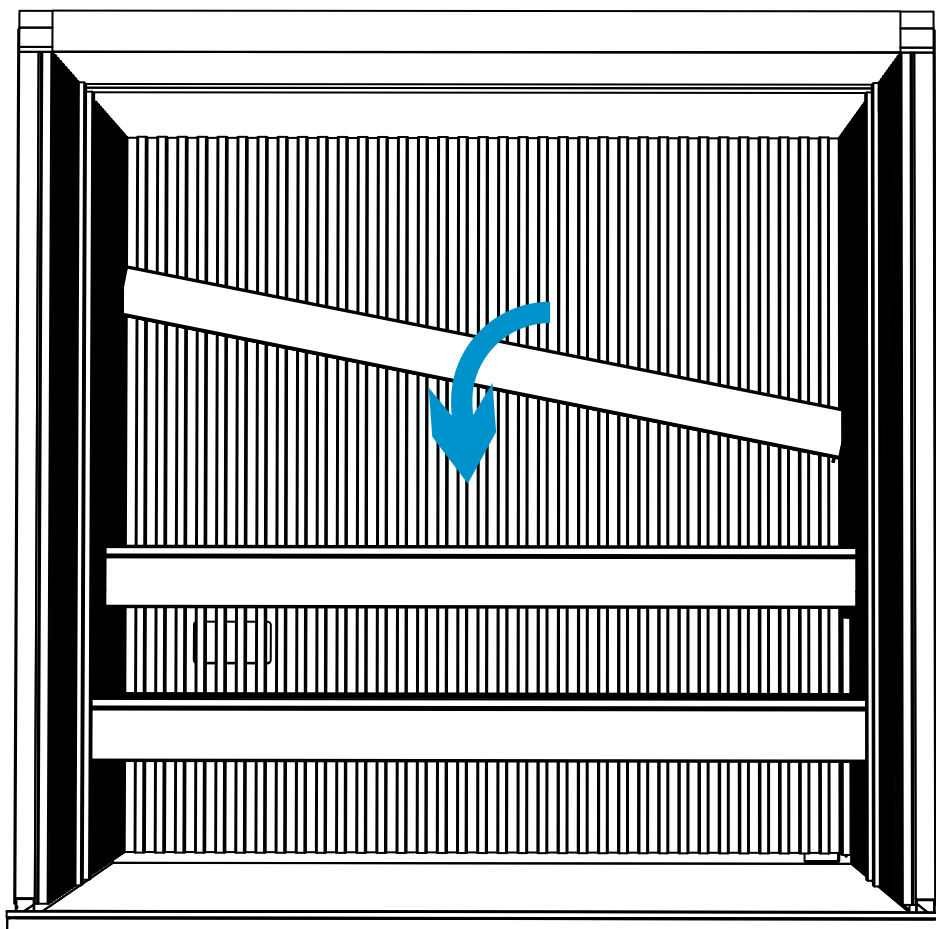


Light cord on the right hand side

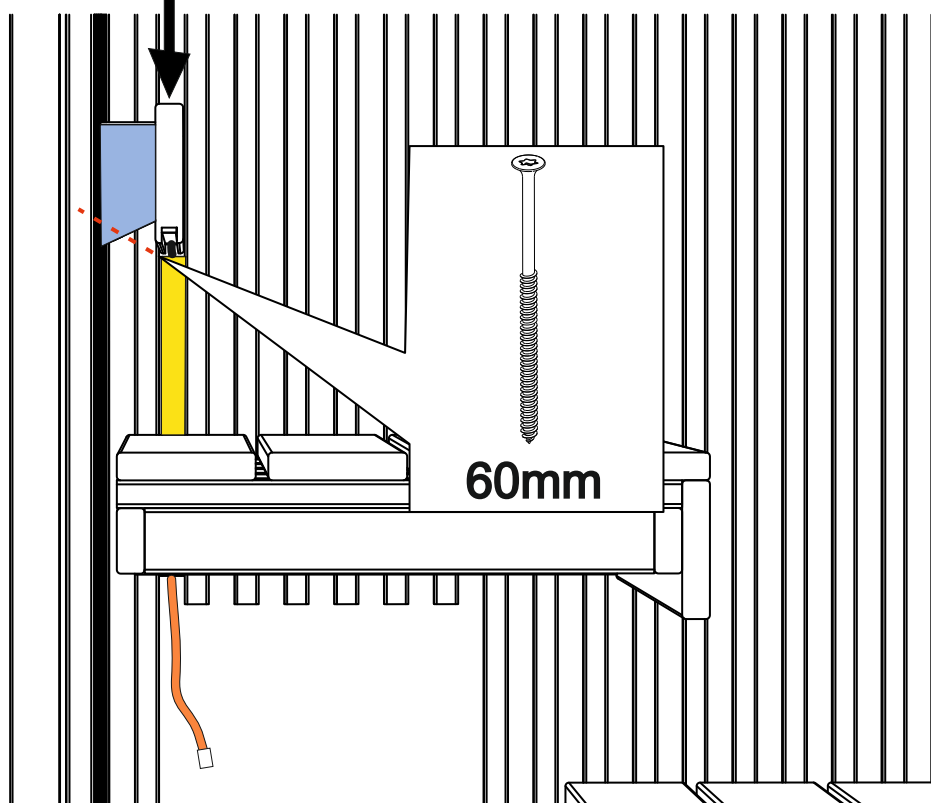


17

Put the backrest in place and route the cable in the wood profile on the right side.
Center the backrest.
Hold it down while securing with the 60 mm screw.

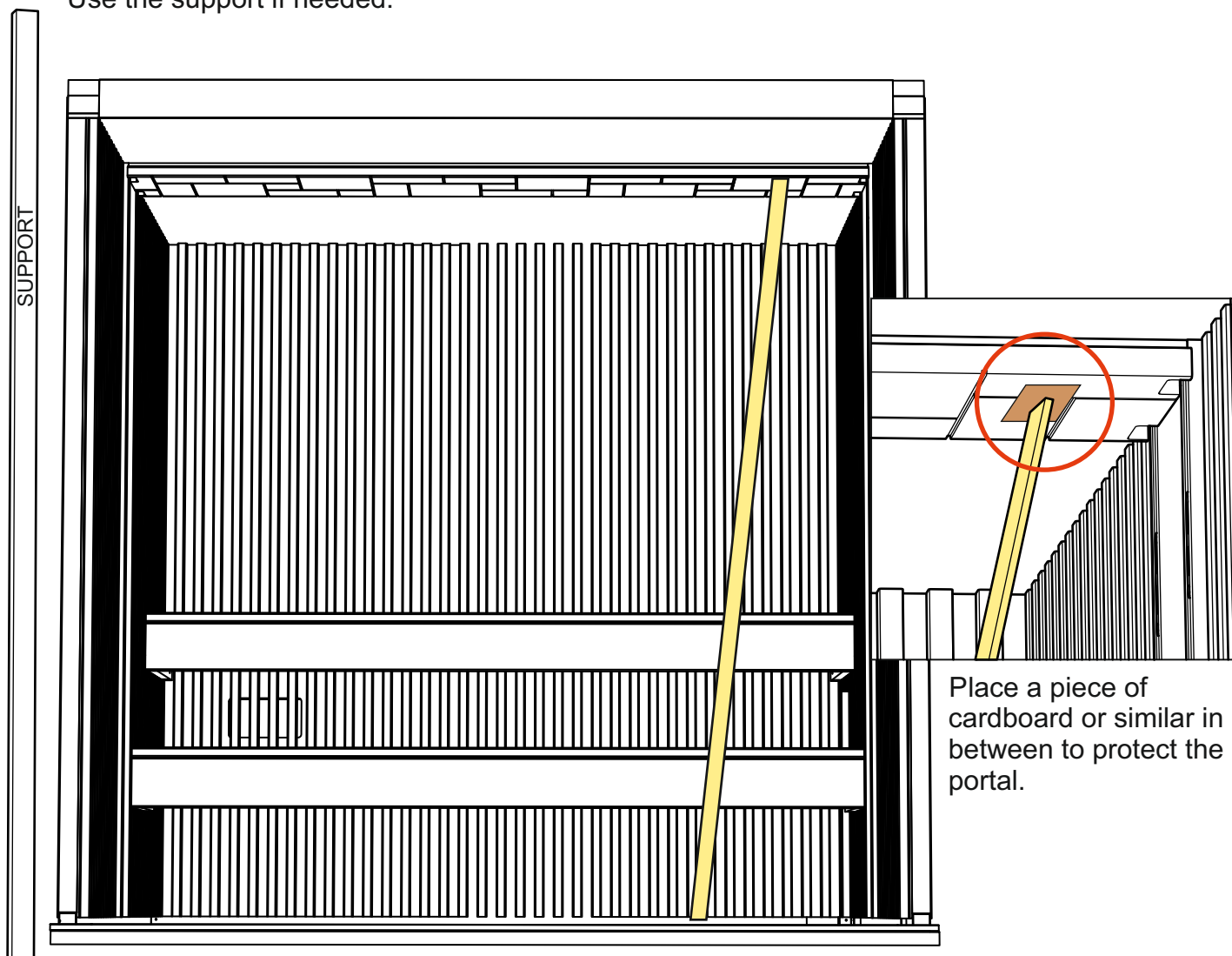


Hold down while securing with the 60 mm screw.

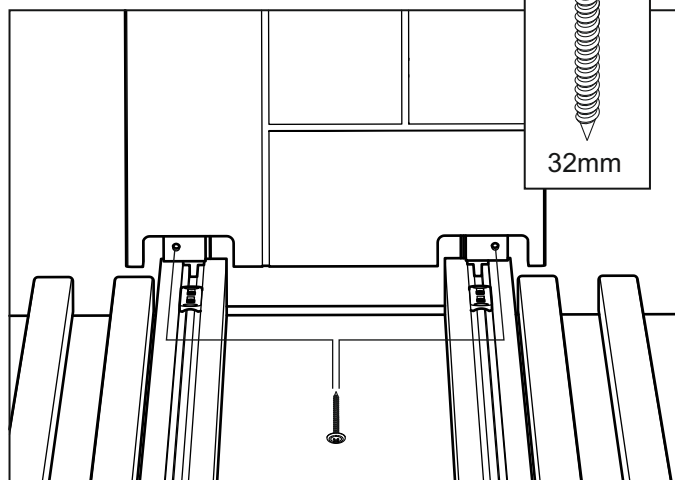
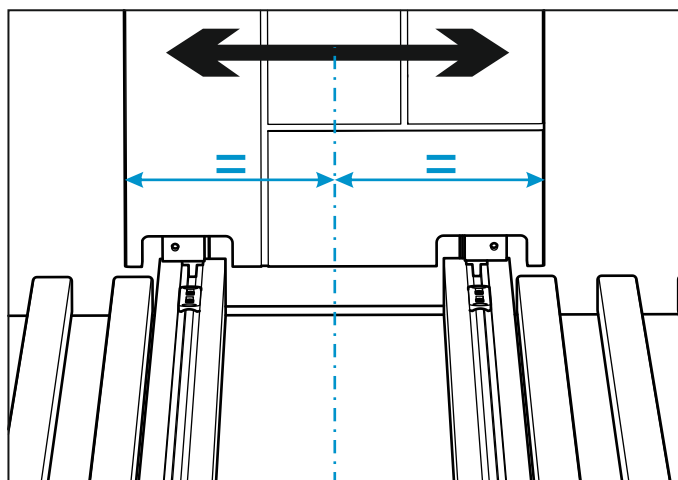


18

Assemble the top portal in the ceiling.
Use the support if needed.



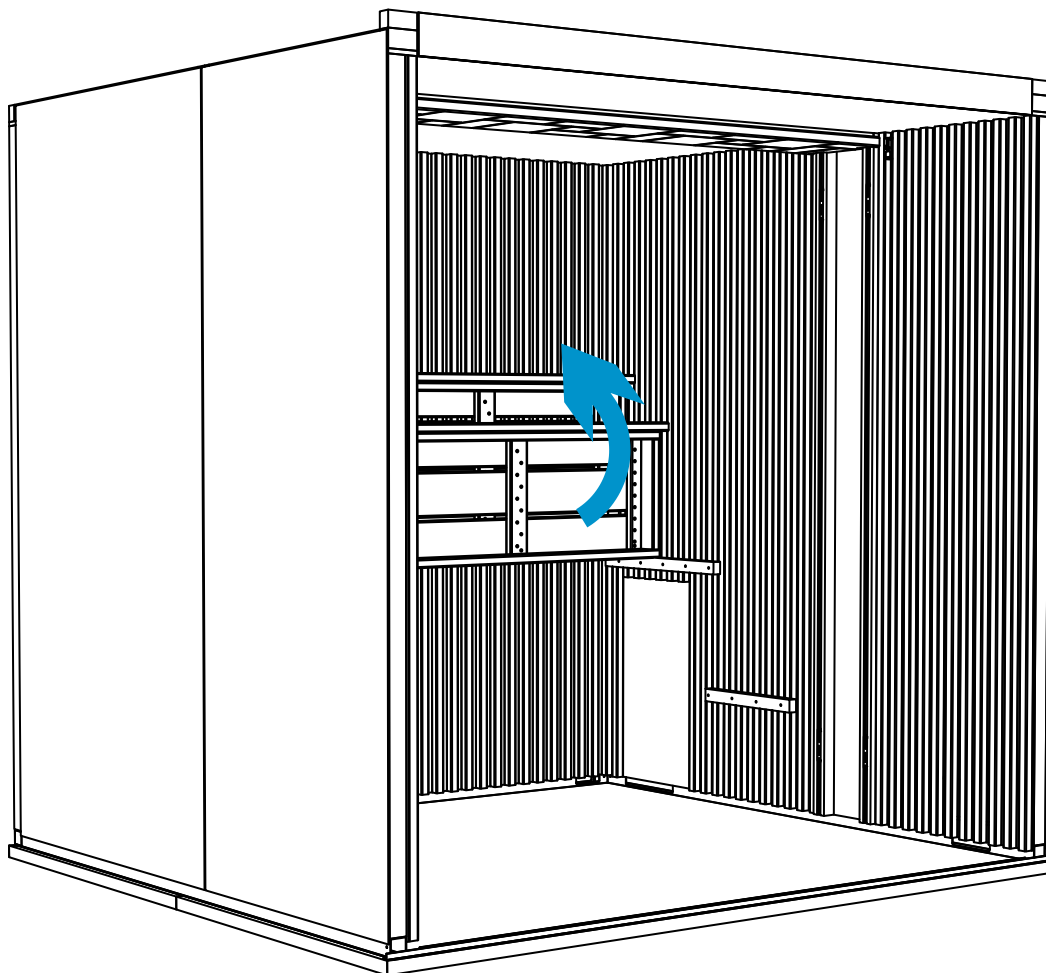
Align the roof portal so that it is centered on both sides.



19

TIP!

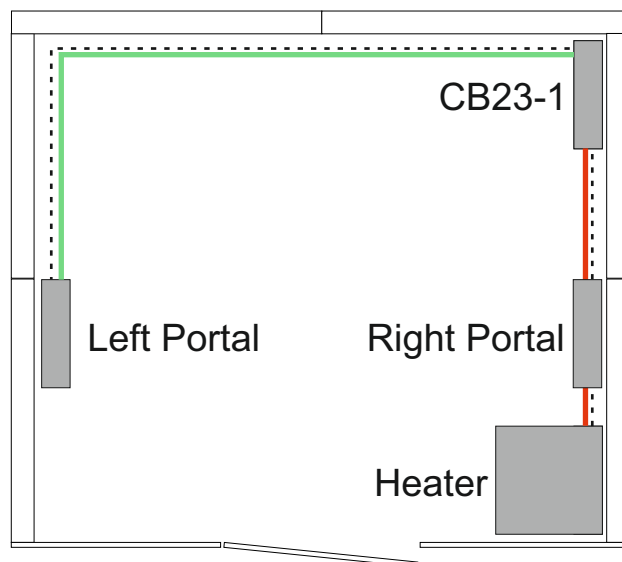
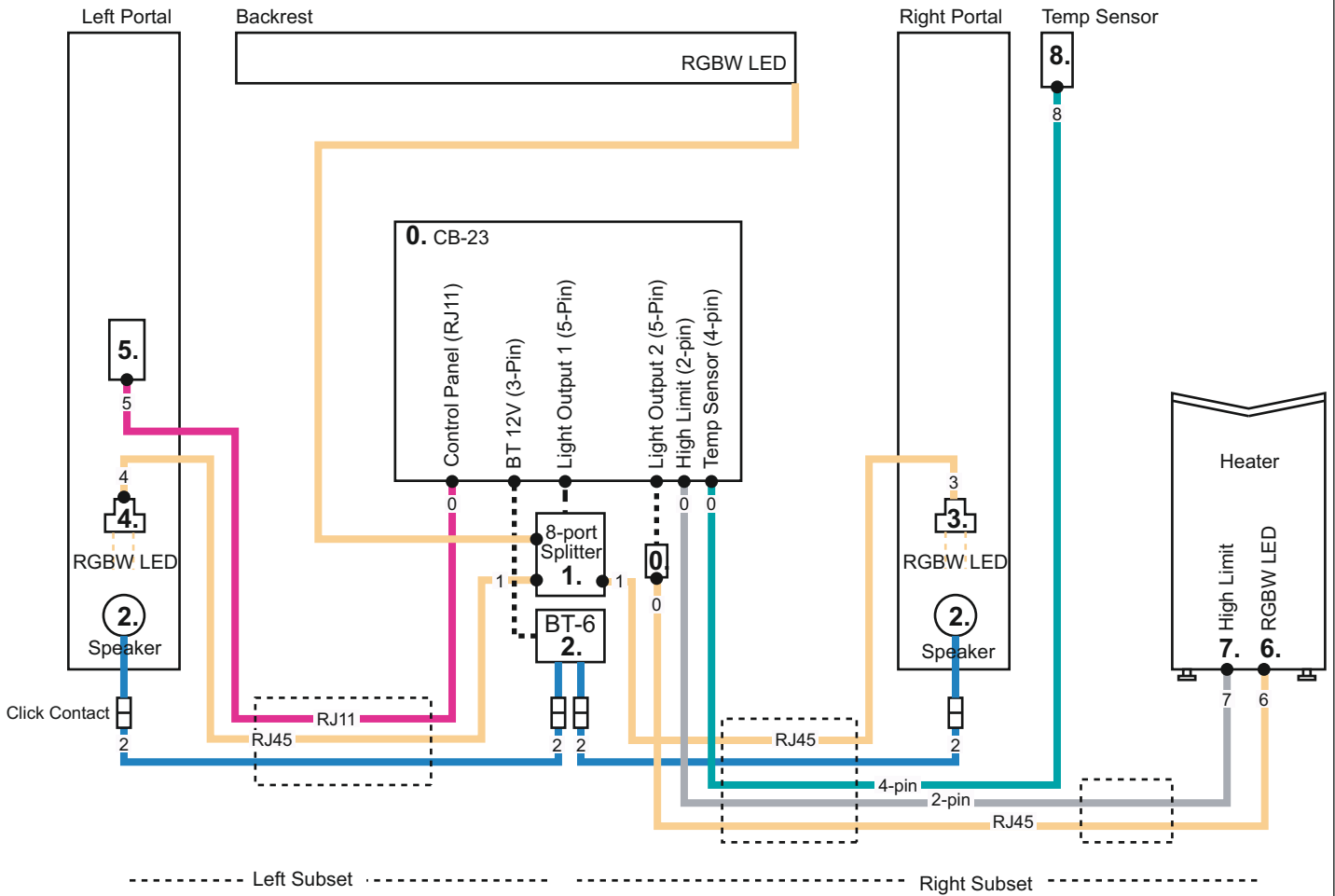
Fold up the benches and put both high. This will make the electrical installation easier.



20

Connection schematic Low voltage

- | | |
|--------------------------------|----------------------|
| 0. Control Box CB-23 | 5. Control Panel |
| 0. RJ45 Heater LED | 6. LED in Heater |
| 1. Light Splitter 8-port | 7. High Limit Heater |
| 2. Bluetooth BT-6 | 8. Temp Sensor |
| 3. T-splitter Right Portal LED | |
| 4. T-splitter Left Portal LED | |



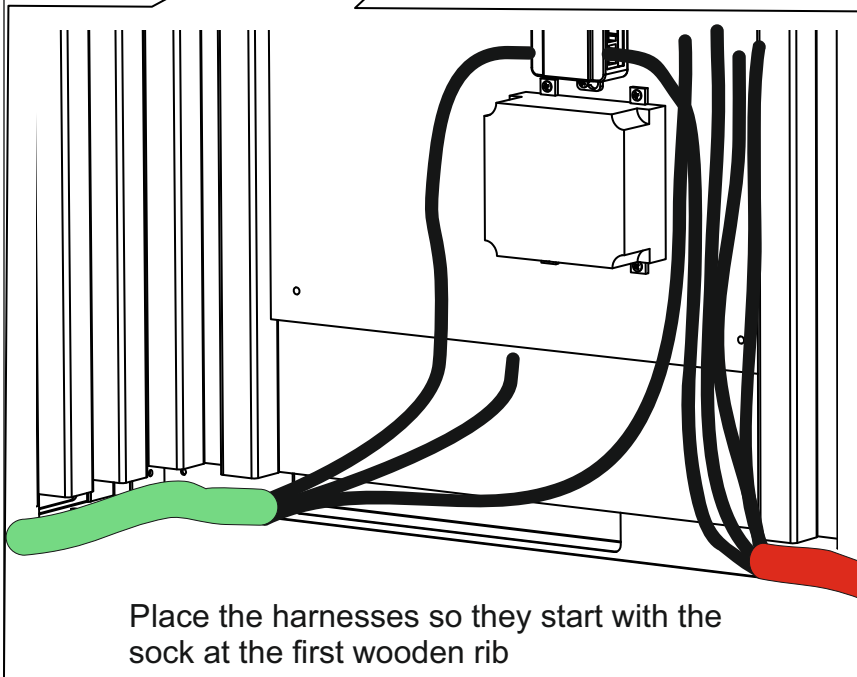
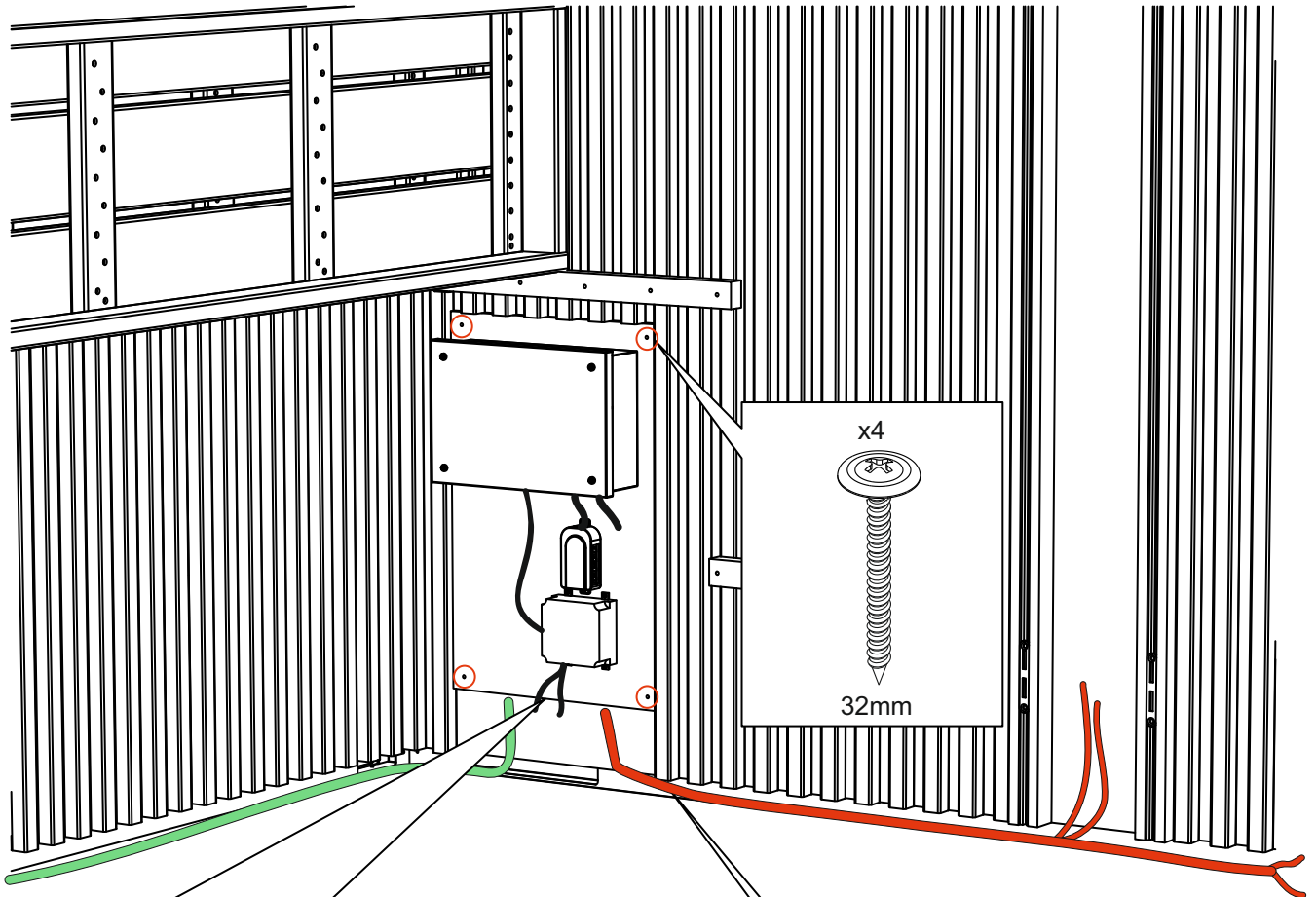
21

Mount the plate with the control box, push it upwards, screw the four screws in the corners.

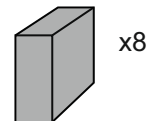
Lay out the two subsets of wiring on the floor, in the corners of the walls/floor.

Long subset (CB-box and left portal)

Short subset (between CB-box, Right portal and heater).



Place the harnesses so they start with the sock at the first wooden rib

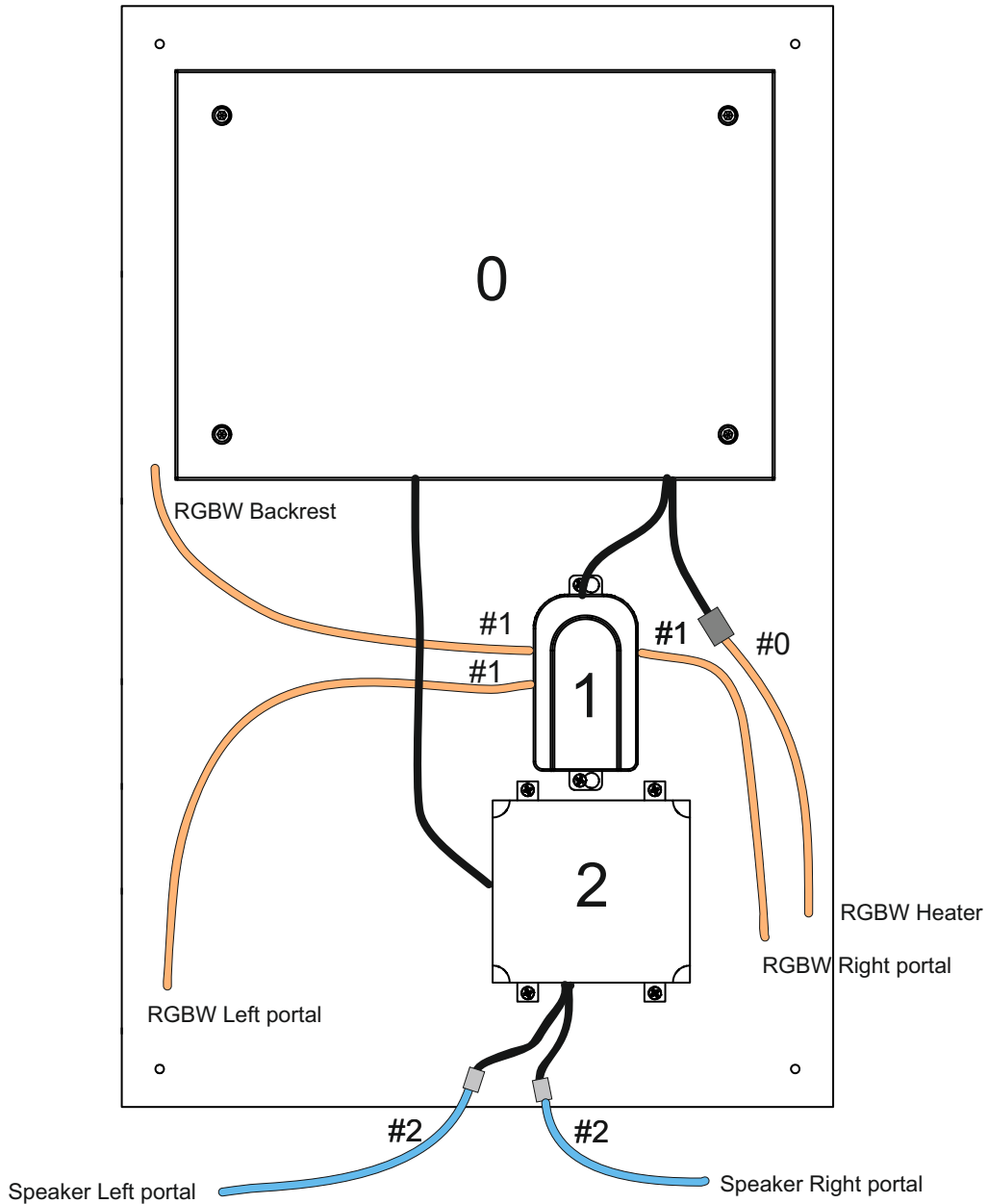


Note: Use the small EPDM foam pieces to temporarily hold the wire harness in place.

22

Connect the RGBW Backrest, RGBW from the left and right Portal into the 8-port splitter marked #1 (Rj45)
Speaker cables into the BT-6 box marked #2
Connect RGBW from heater to the Rj45 adaptor.

- 0 - CB-Box
- 1 - 8-port splitter
- 2 - BT-6 Bluetooth



23

Open the the lid to the CB-box with the four screws.

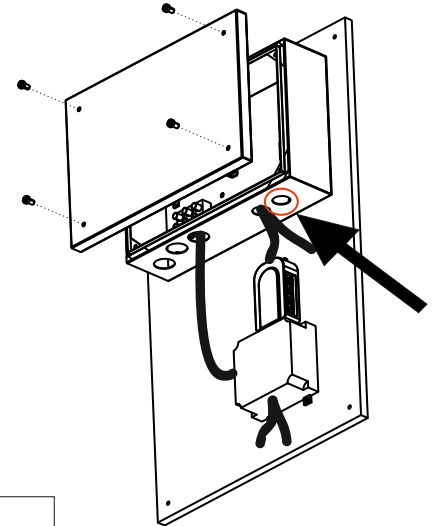
Connect cables into the CB-box marked #0

Control panel cable (RJ11) into CN1

High limit cable (2-pin) into CN5

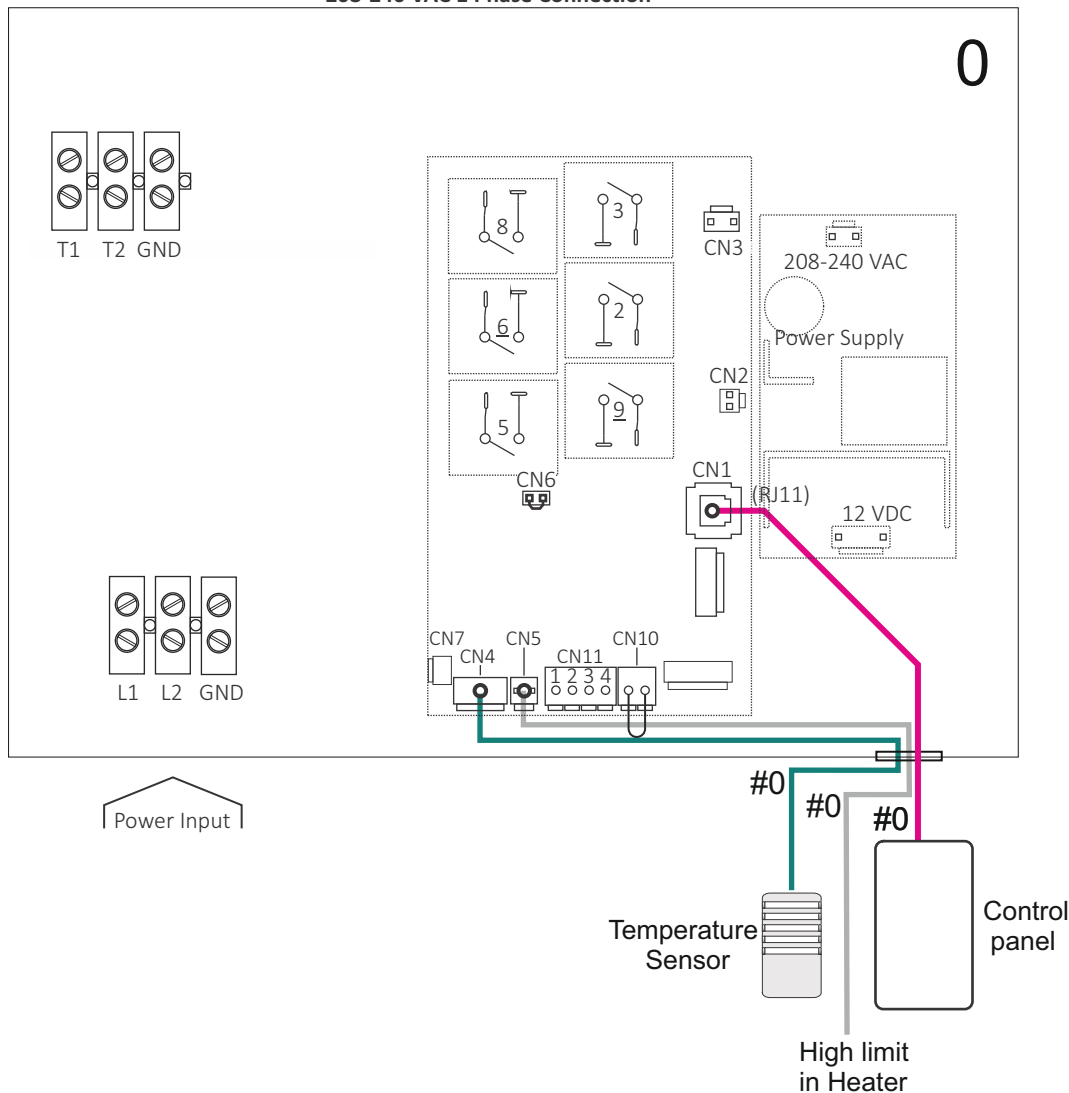
Temp sensor cable (4-pin) into CN4

Use the rubber grommet to the right side to route the three cables.



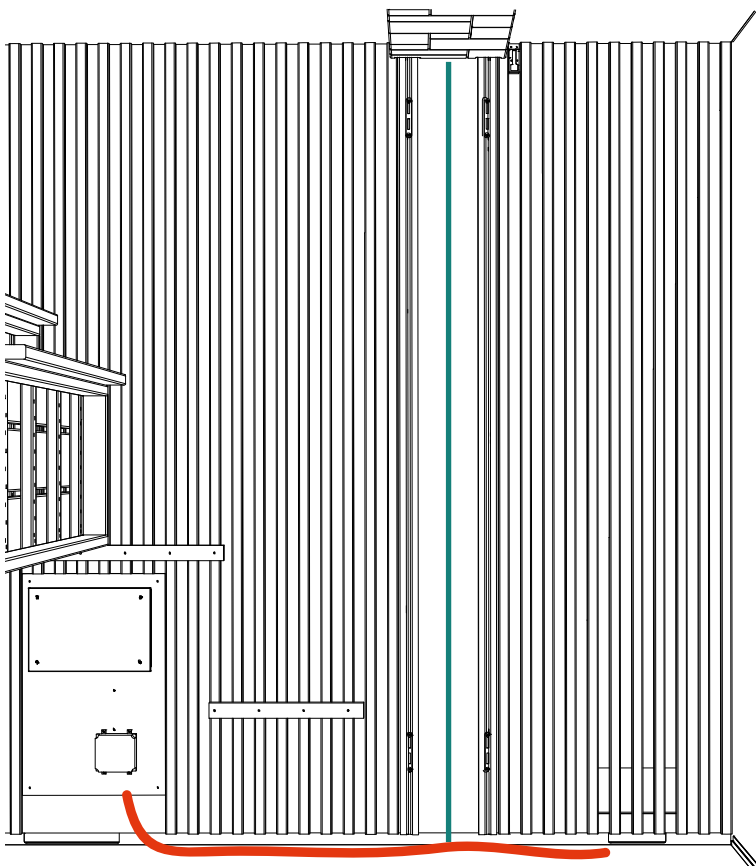
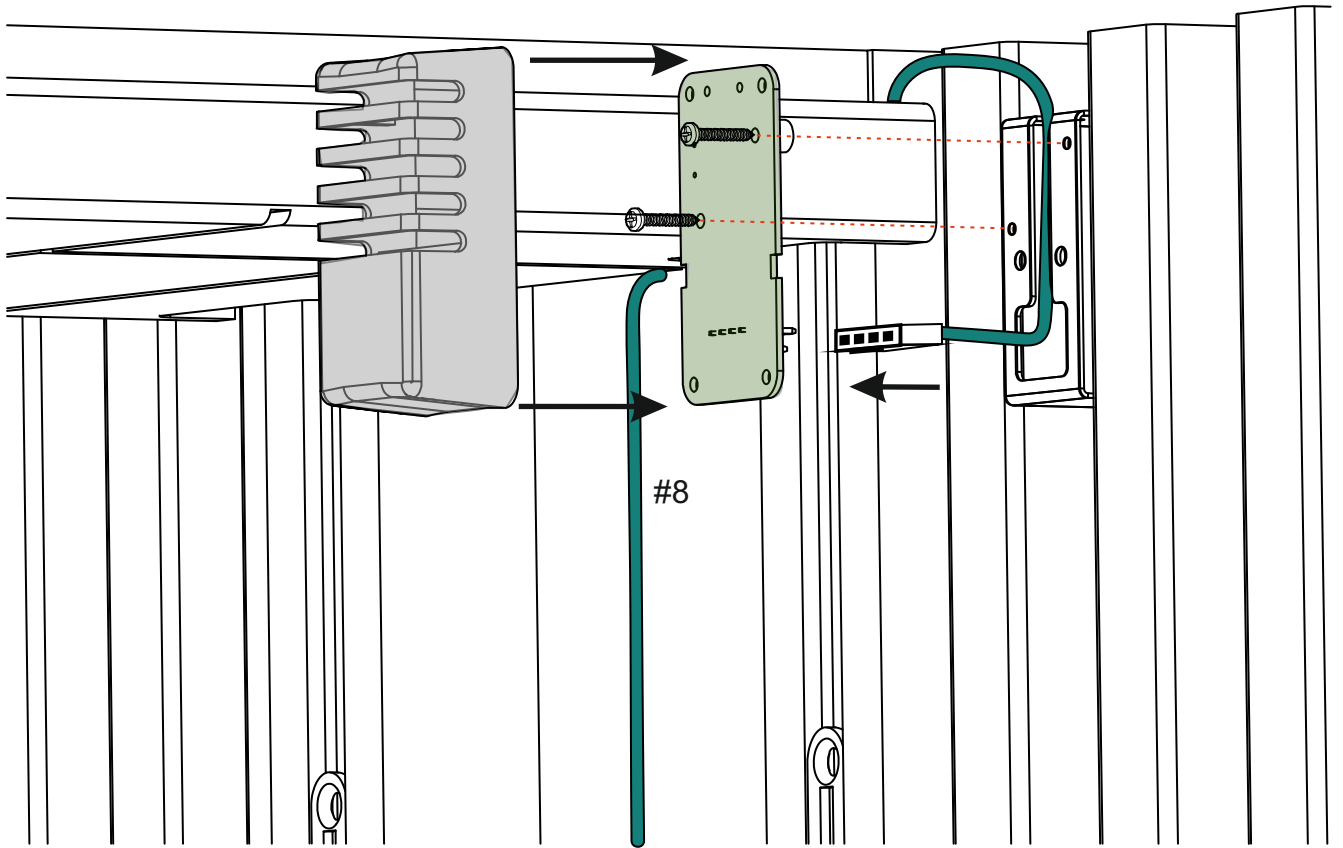
CB 23-1 Box
208-240 VAC 1 Phase Connection

0



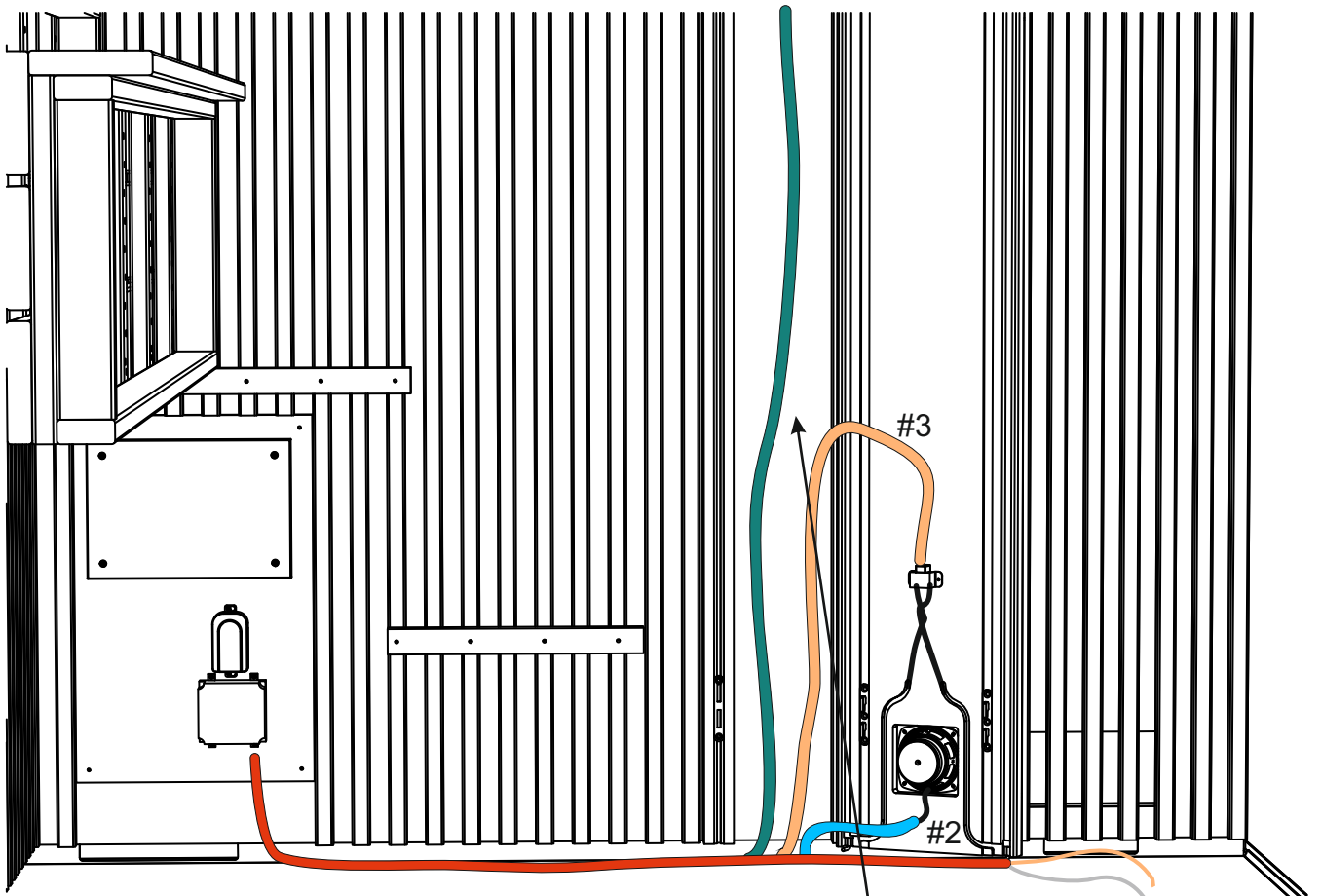
24

Unsnap the the cover from the tempsensor with a flat-tipped screw driver.
Connect the sensor cable from wire set 2 on the PCB sensor (4-pin)(#8)
Use the two provided screws to mount the sensor on the bracket, then snap the cover back in place.
Route the cable inside the bracket up into the portal.



25

Place the right portal (no control panel) close to the right trench.
Connect the speakers (#2).
Connect the RGBW (#3).



13mm

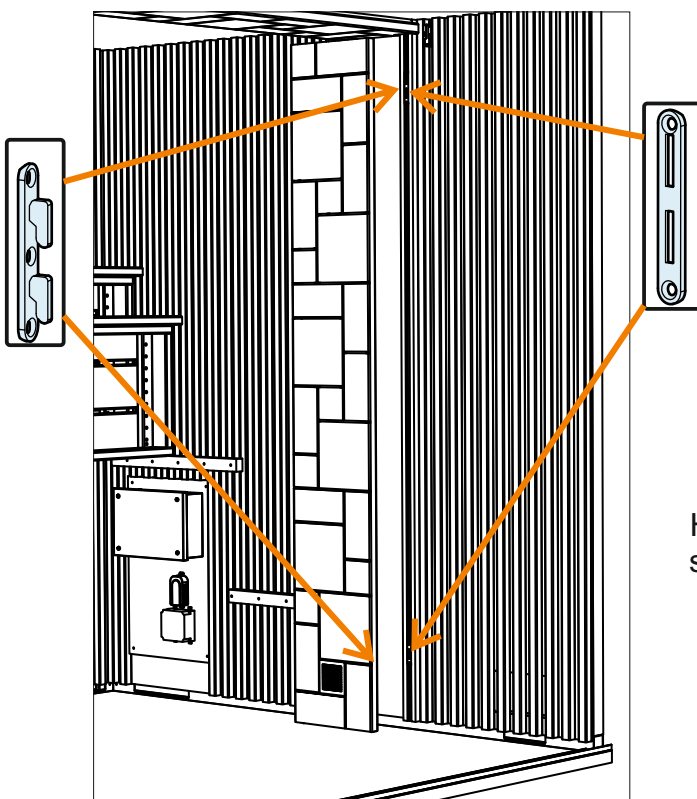


Cables to heater
(high limit and RGBW)



TIP!

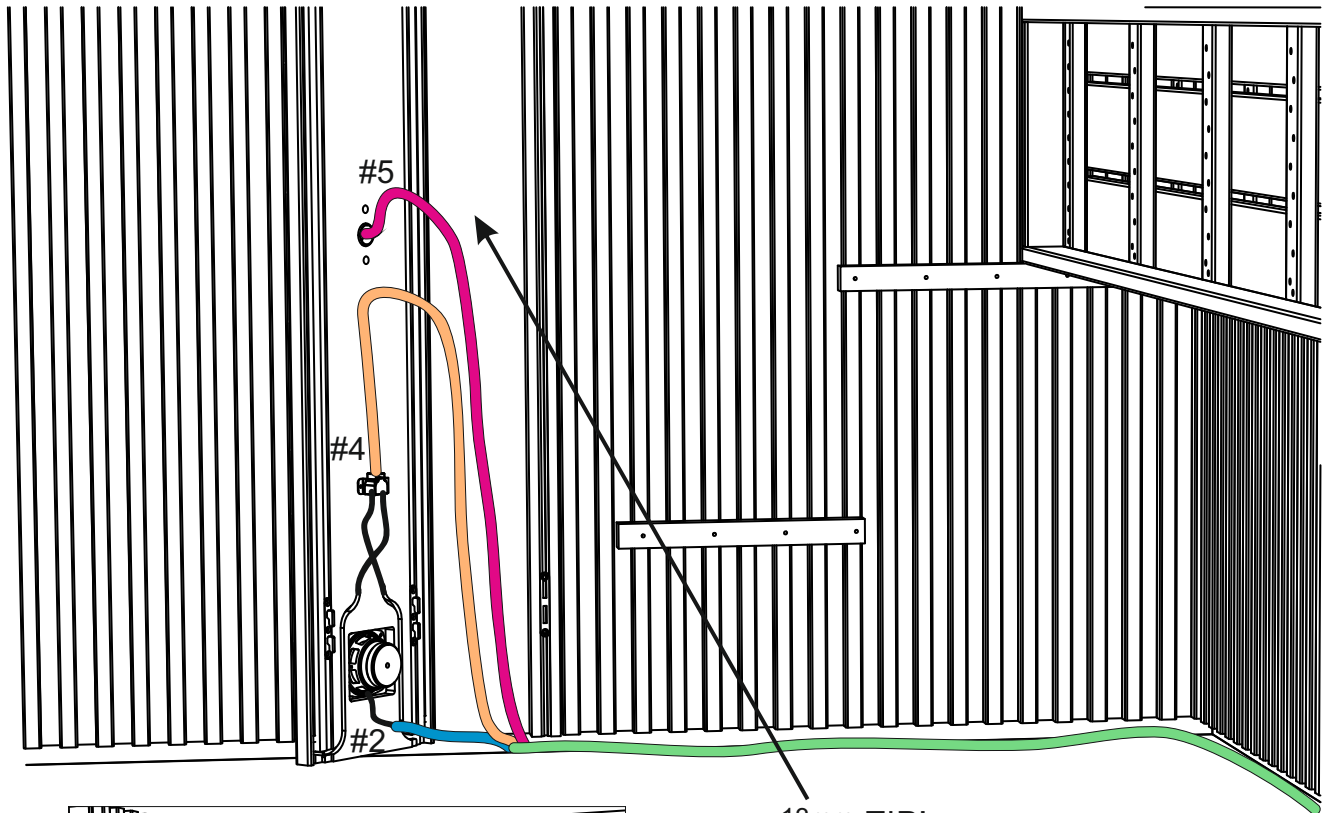
Screw a cable holder to secure the cables in the trench before hanging the portal.



Hang the portal in place. Watch not to squeeze the cables inside.

26

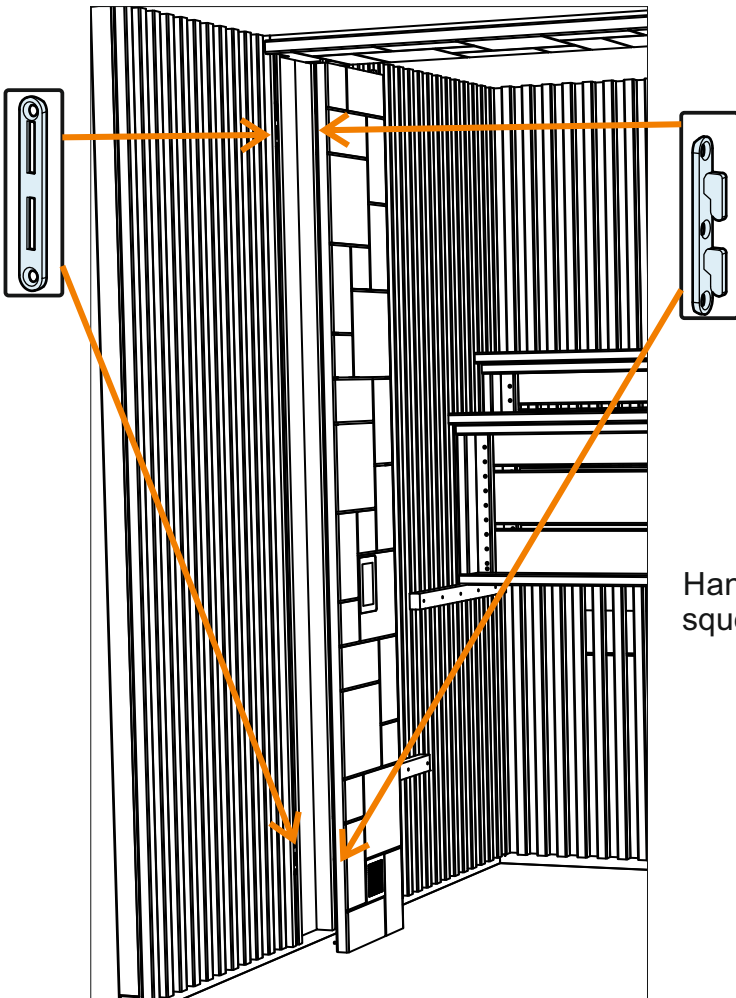
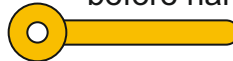
Place the left portal (control panel) close to the left trench.
Connect the speakers (#2) (click contact).
Connect the RGBW (#4) (RJ45).
Connect the control panel (#5) (RJ11).



13mm TIP!

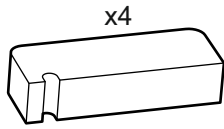


Screw a cable holder or two, to secure the cables in the trench before hanging the portal.

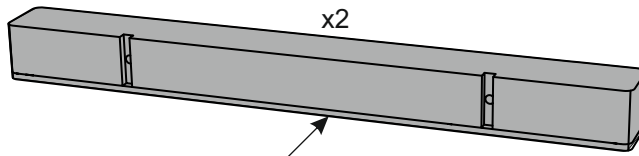
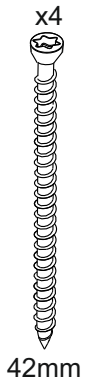
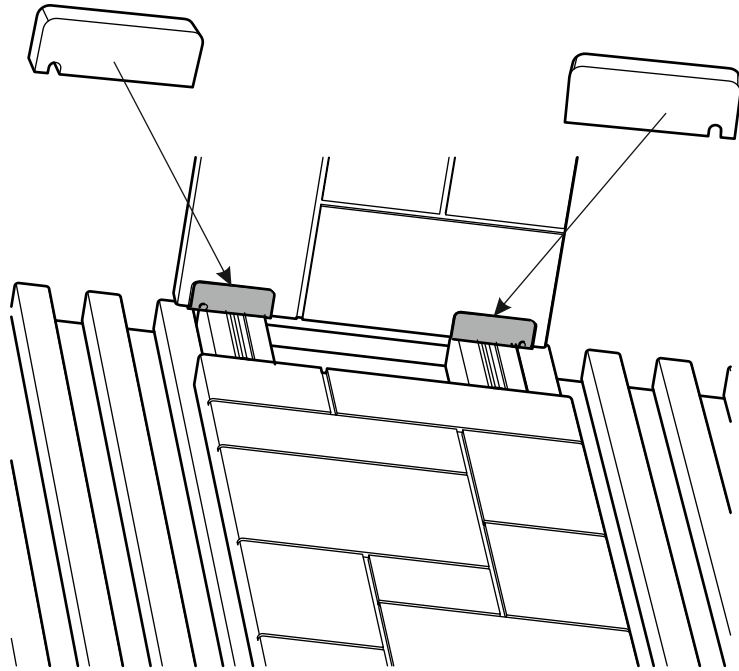


Hang the portal in place. Watch not to squeeze the cables inside.

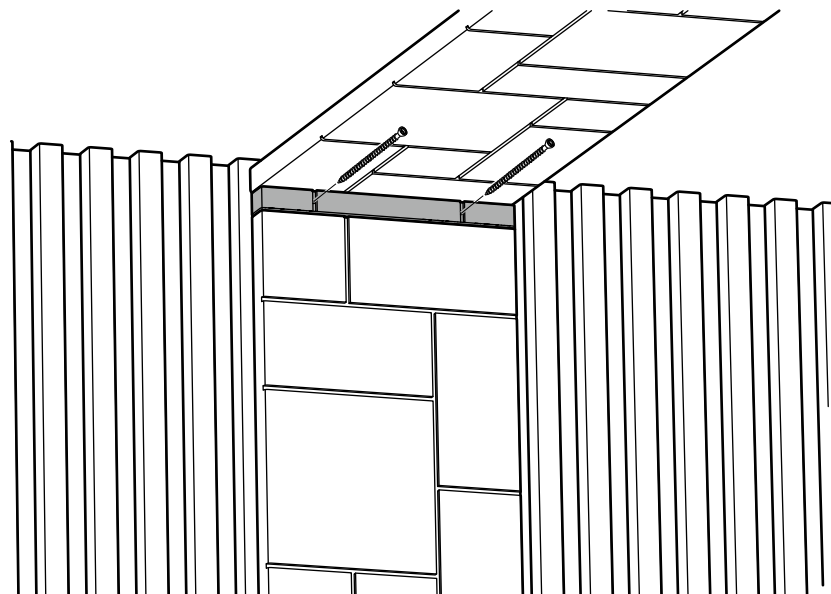
27



Place the grey foam gaskets on both sides of the ceiling portal..

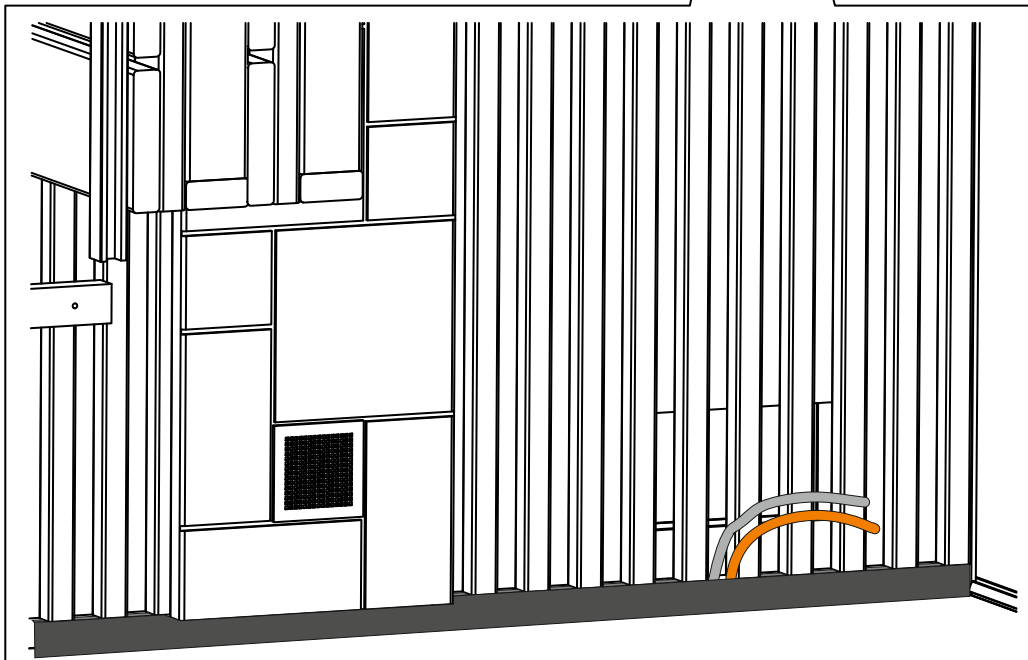
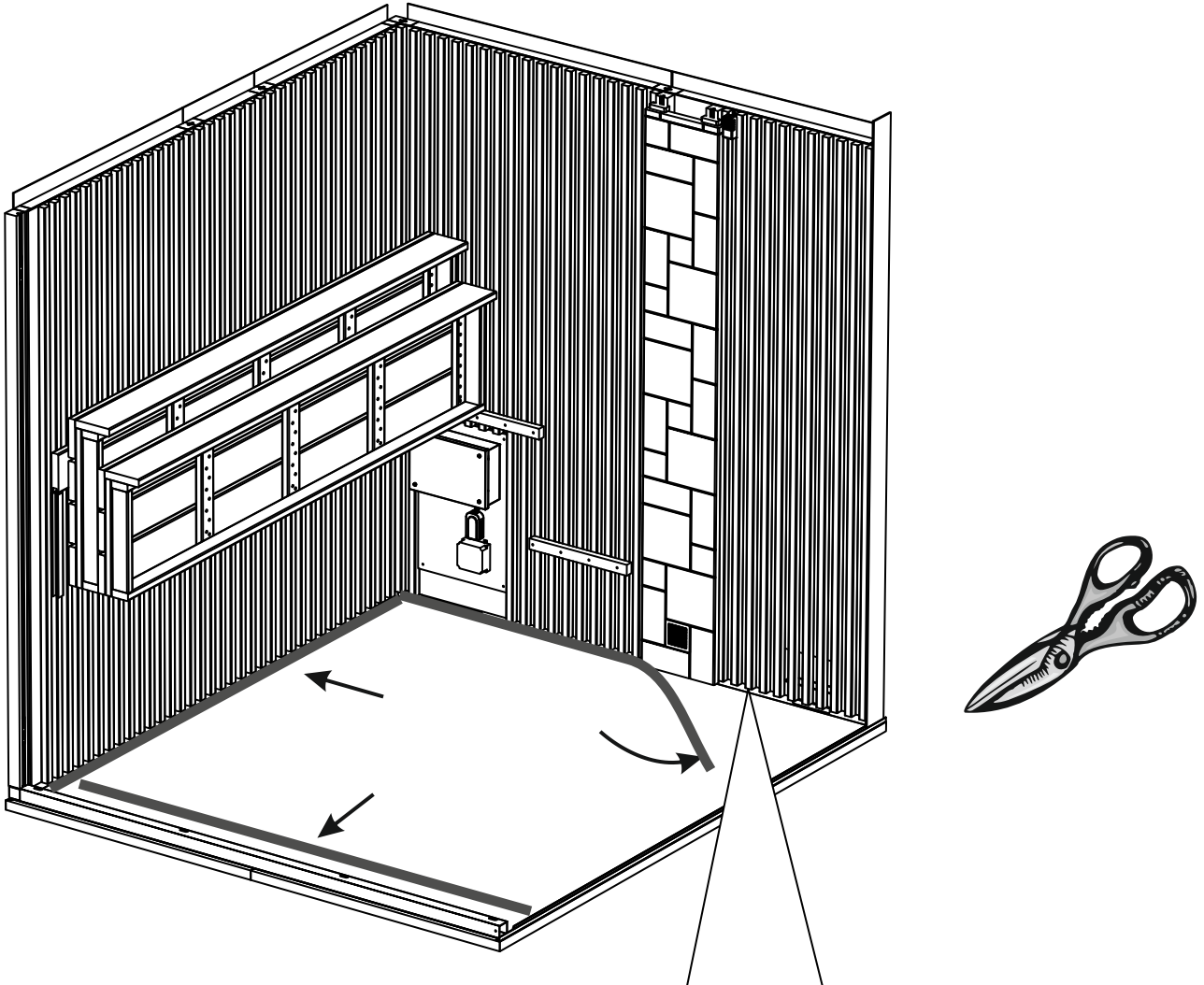


Black gasket downwards



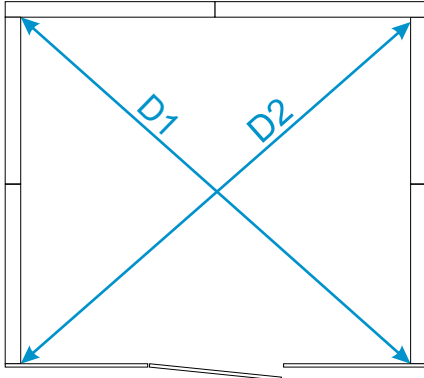
28

Take away the small EPDM foam pieces, that was used temporarily and replace it with the long strips. Start in a corner and then cut to the right length. This to protect and hide the wire harness and get a water barrier. Let the two cables to the heater stick up.

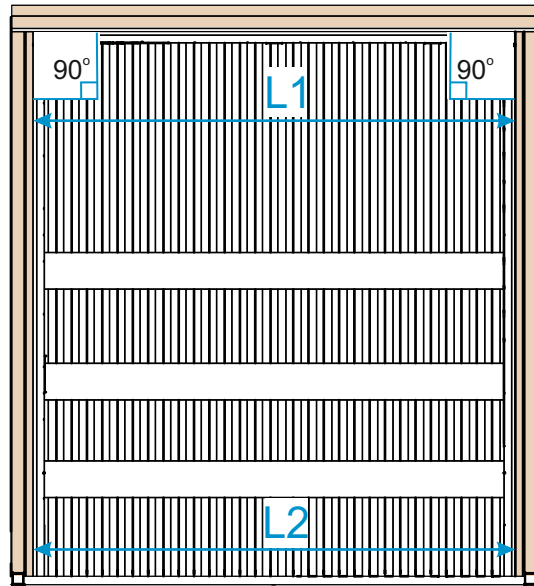


29

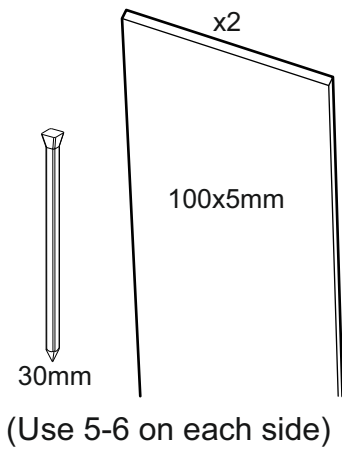
NOTE! It is important that walls and ceiling are perpendicular, 90°. It is also important that the dimensions are the same between the side walls both at the top and bottom.



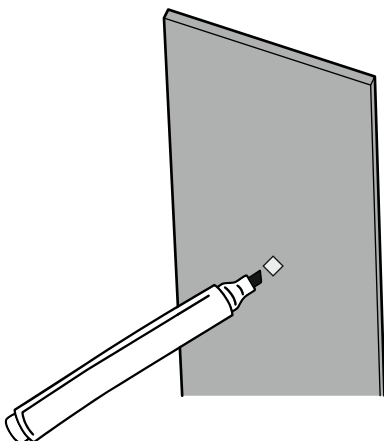
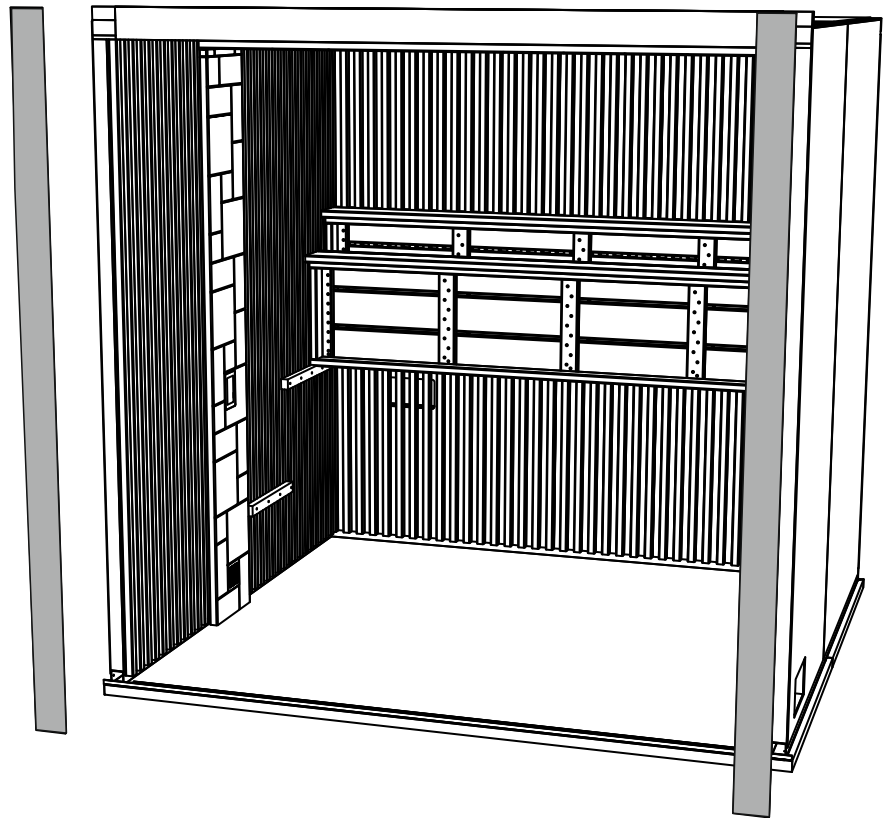
D1=D2



L1=L2



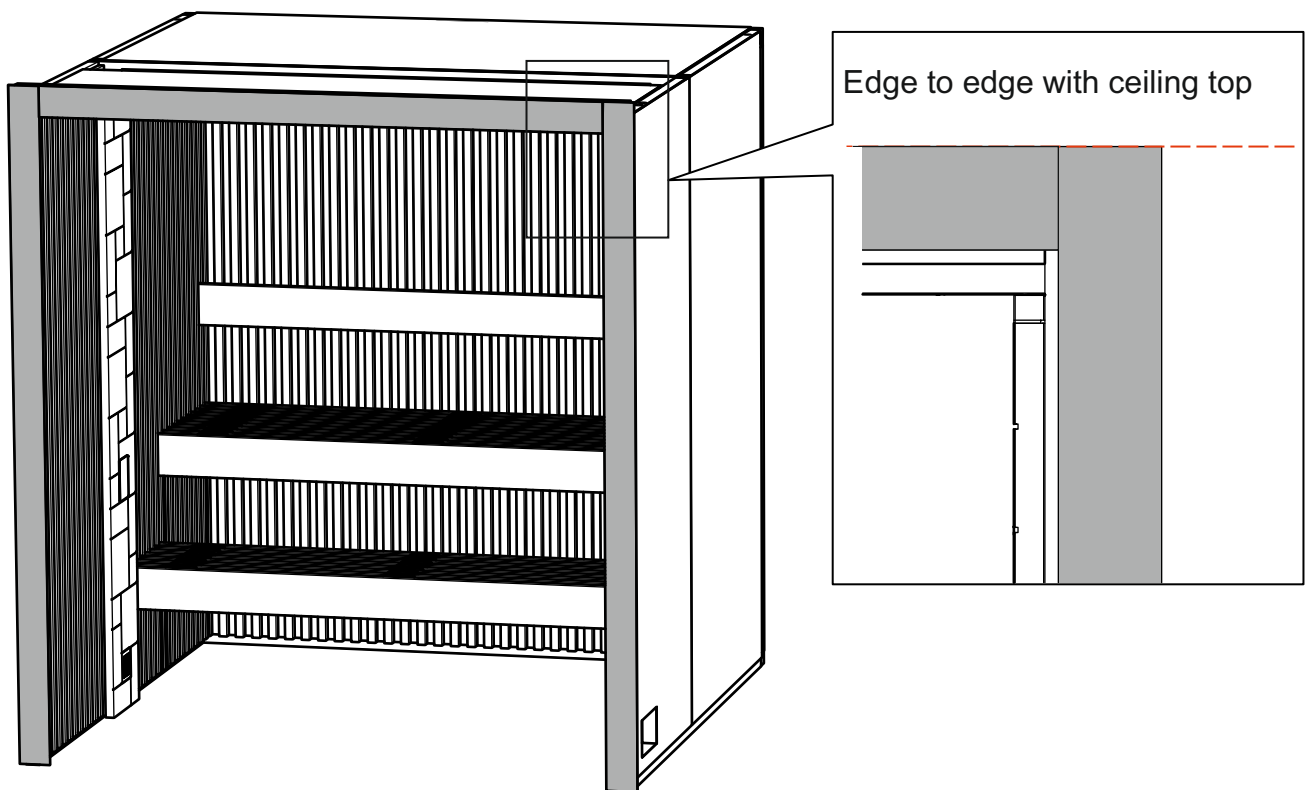
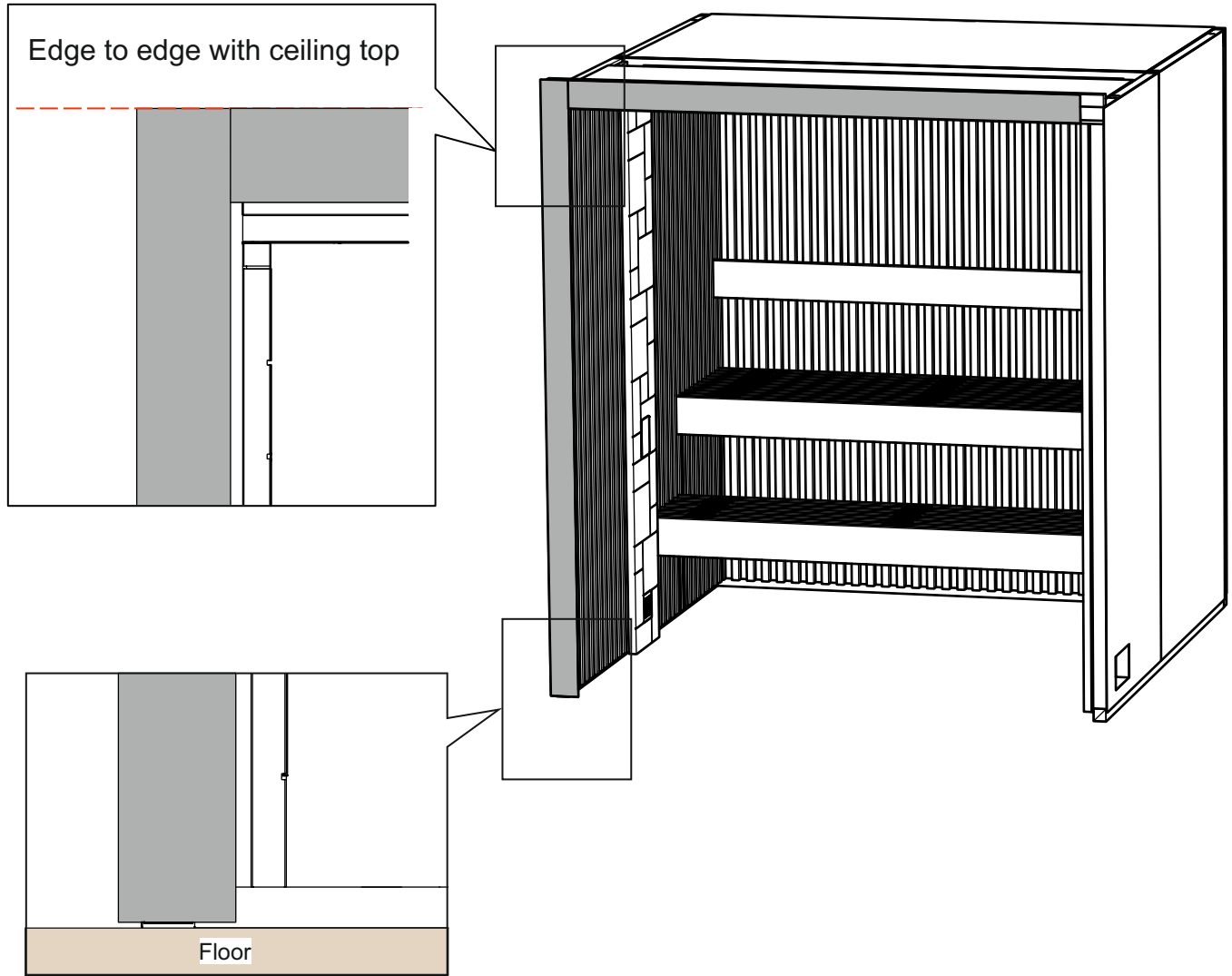
(Use 5-6 on each side)



Hide the nail head with a black marker pen

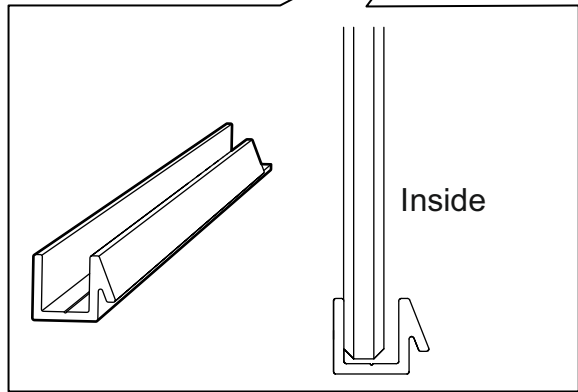
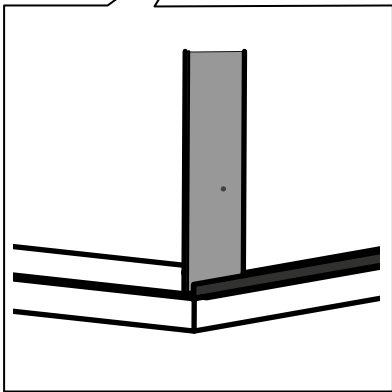
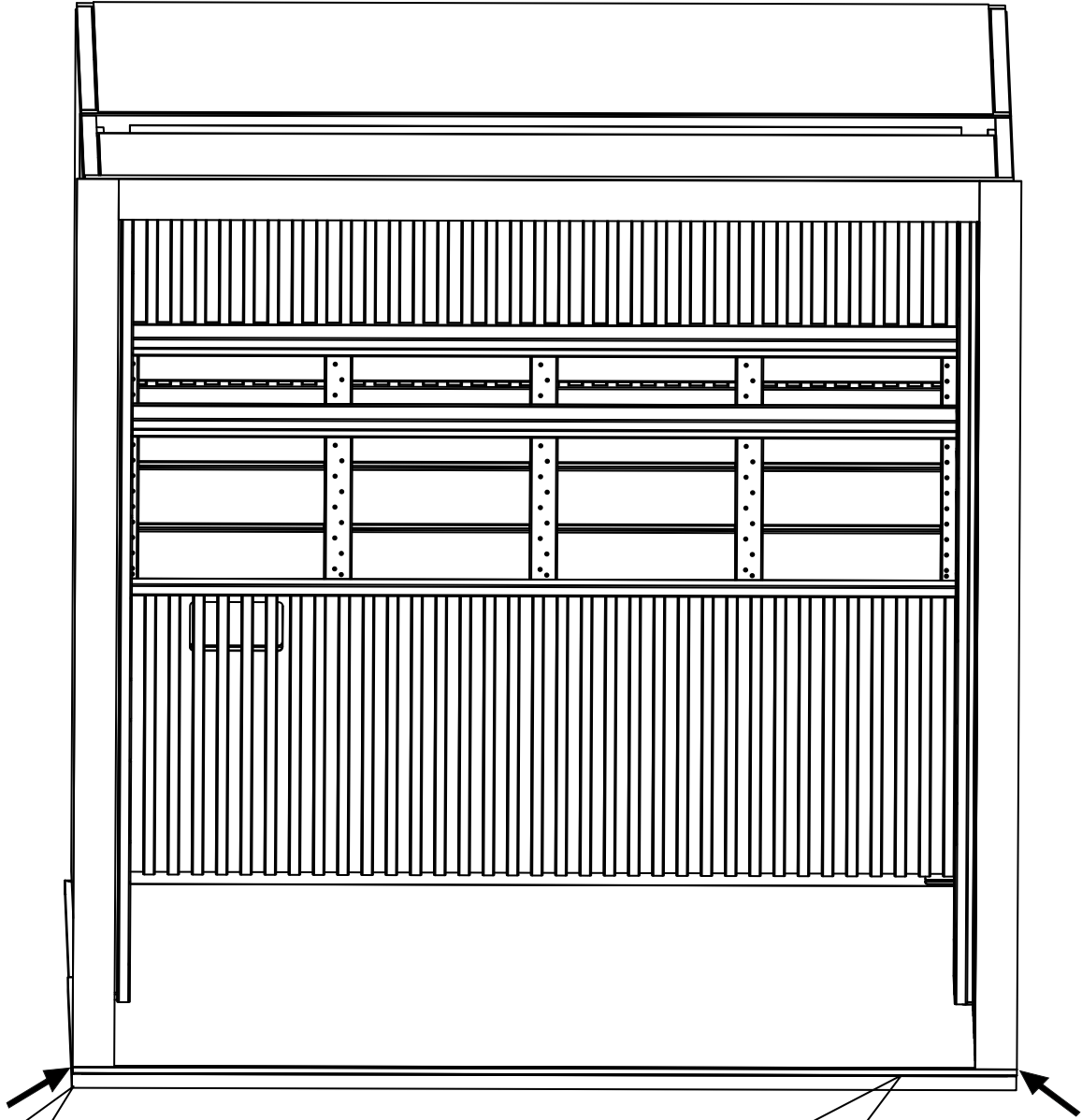
Tip! Use a nail gun if available.

30



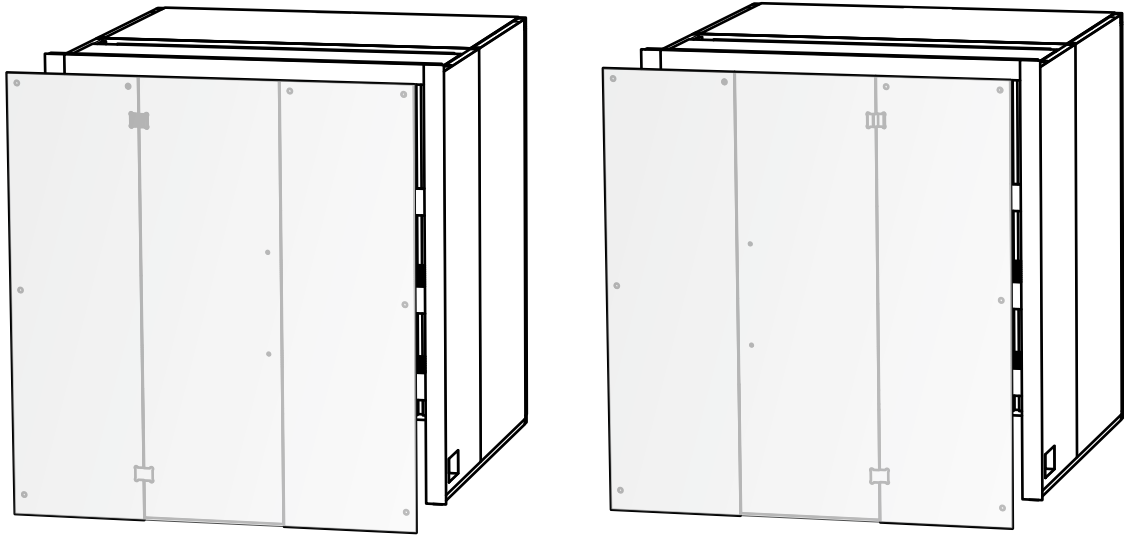
31

Put the black U-profile (if not already in place on the optional floor) so it is flush with the black front trims.

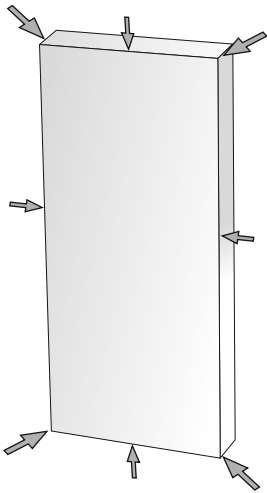


32

The door can be mounted right- or left-hung.



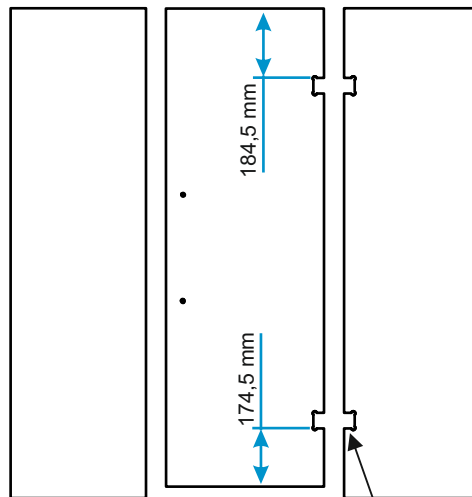
Warning! Glass - handle with care!



The edges of the glass should be protected from knocks and impacts.

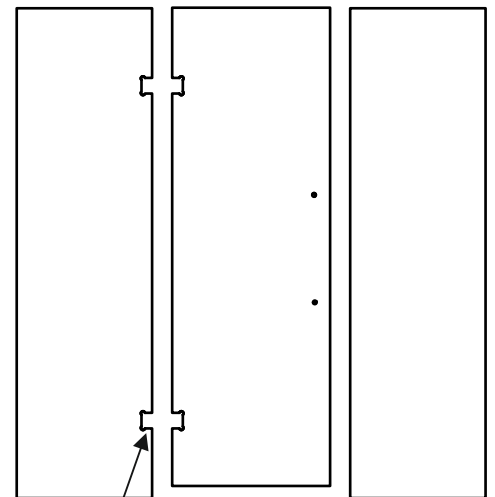
Glass placement

Alt. 1



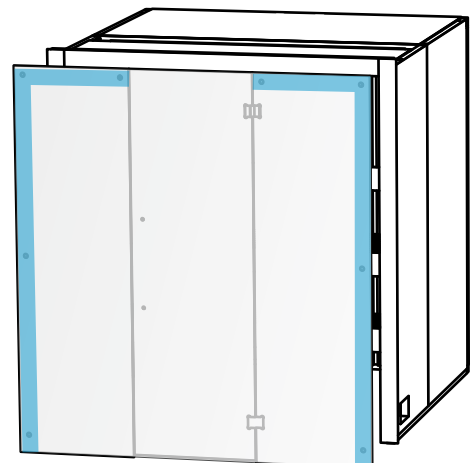
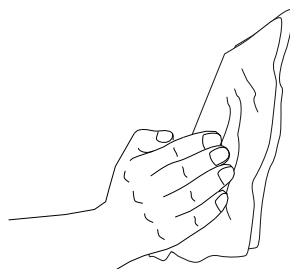
Hinges-right

Alt. 2

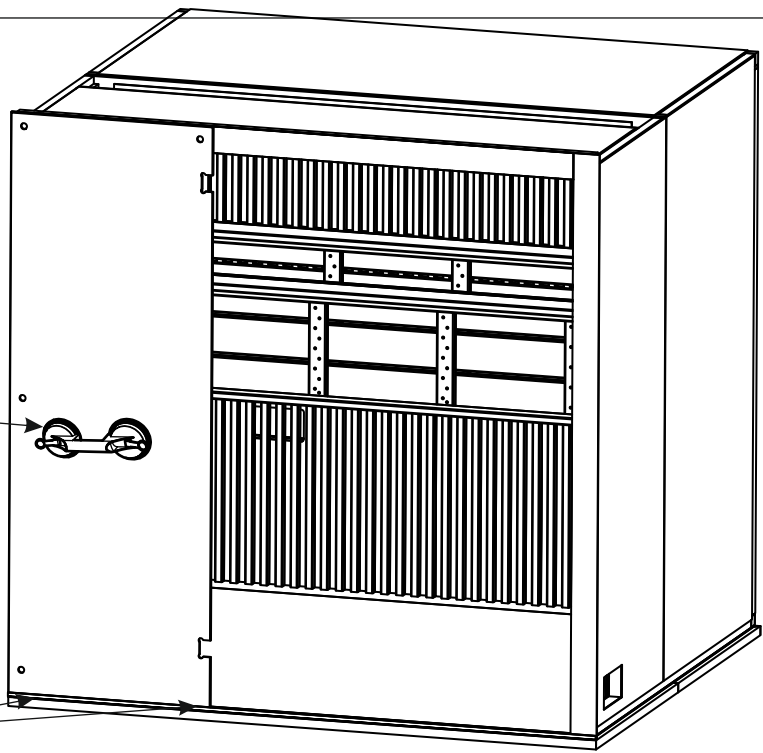
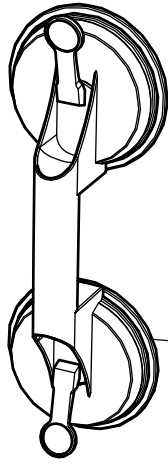


Hinges-left

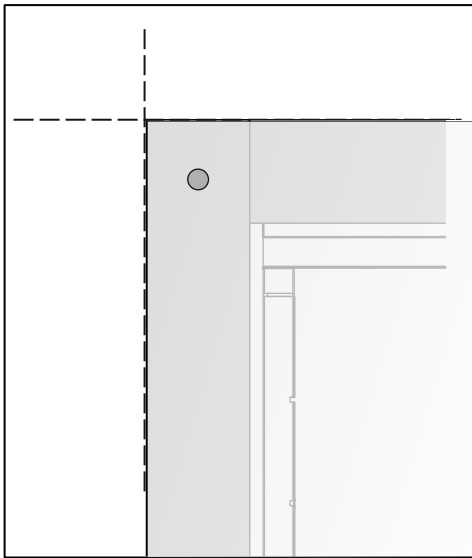
Polish the inside of the glass where the glass meets the wall before mounting.
Check that no dirt gets between the glass and the wall.



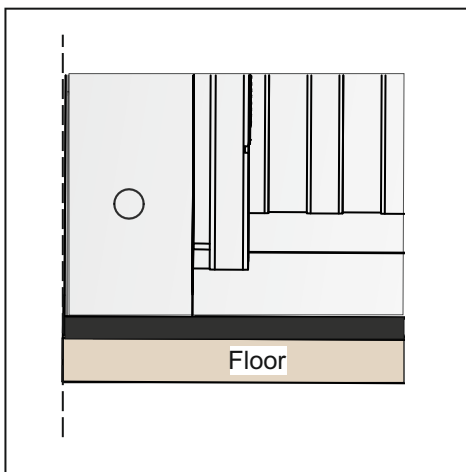
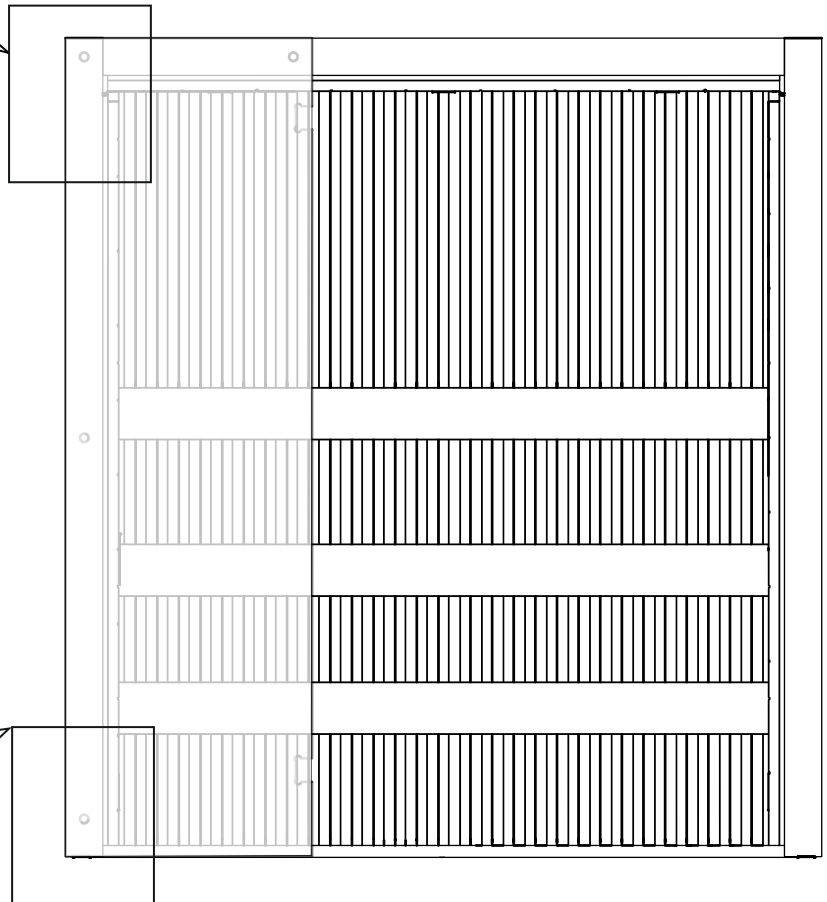
33



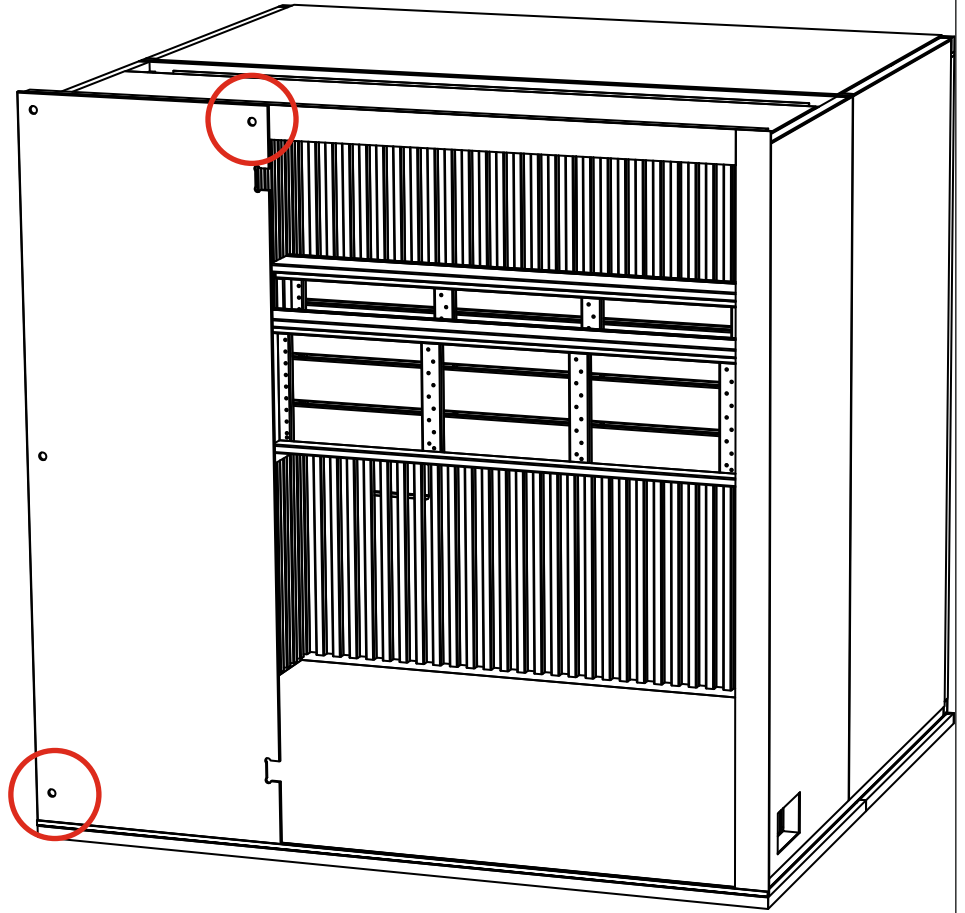
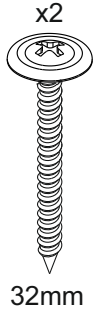
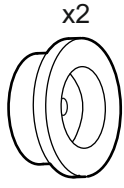
The glass should be mounted edge to edge with the black frame. Put two thin green plastic layers into the profile to protect the glass. If needed put in more green thin plastic layers in the profile to get the glass in position.



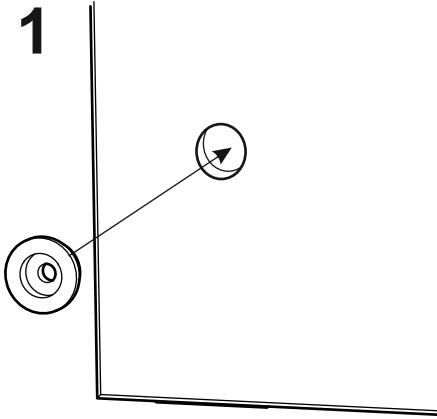
Glass Edge to edge with black frame



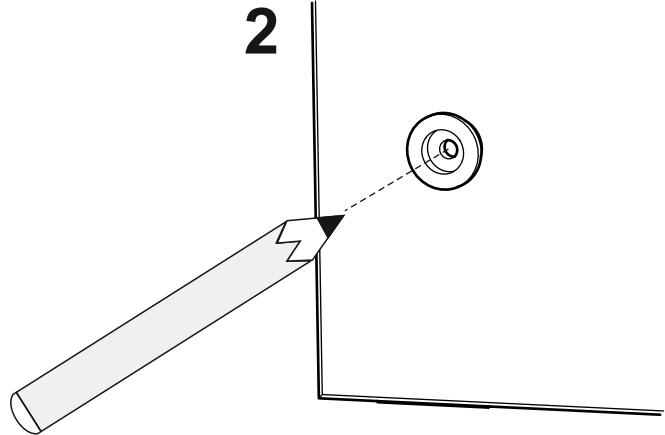
34



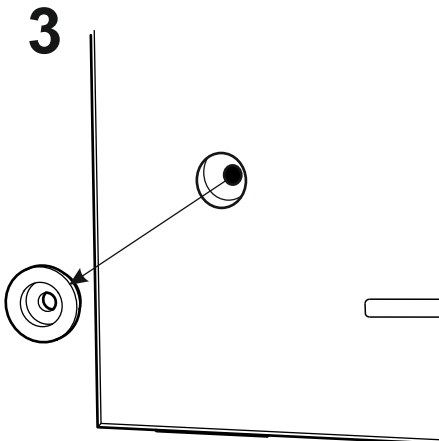
1



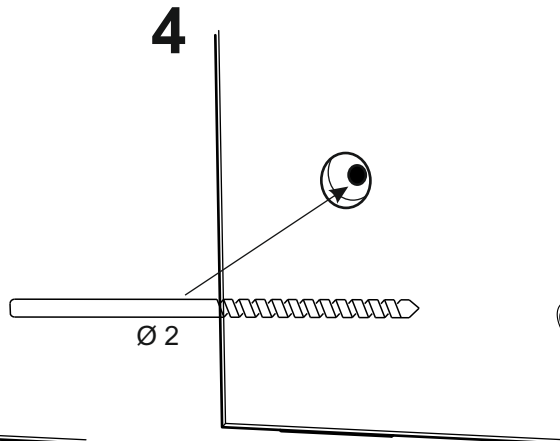
2



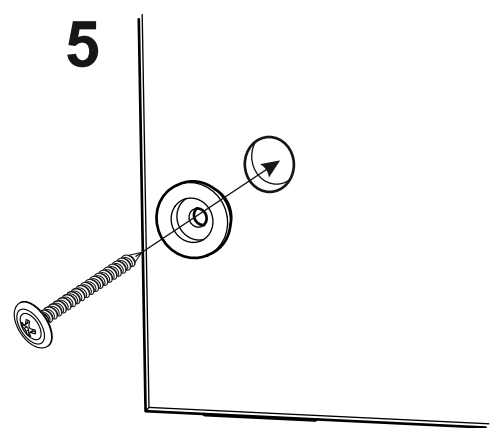
3



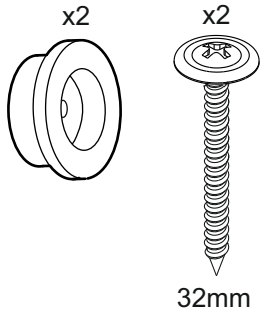
4



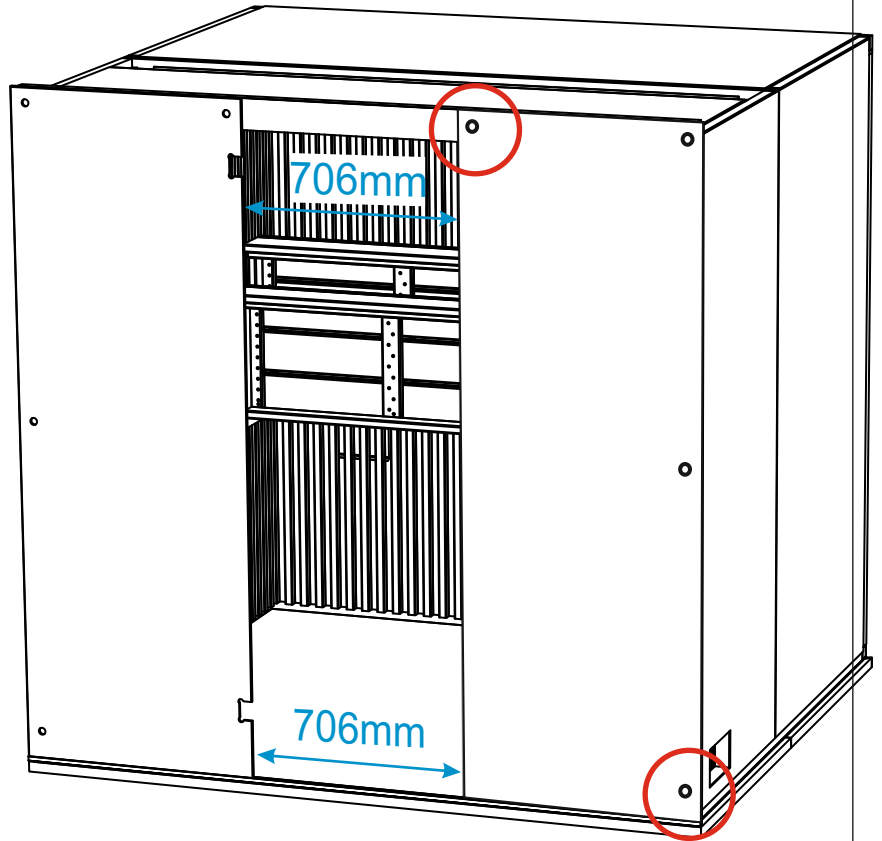
5



35

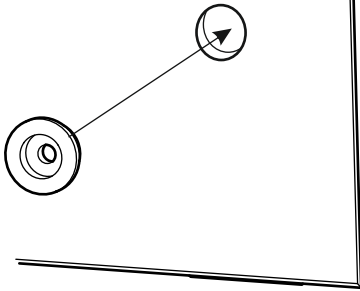


Measure between the side glasses both top and bottom so that the measurements are the same. The opening must be 6mm wider than the door glass. The glass can be adjusted a few millimeters vertically and laterally if you loosen the screws a little.

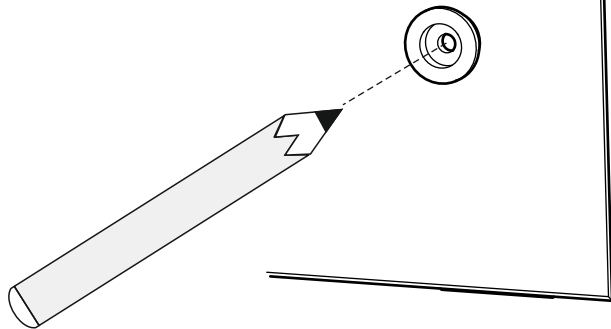


Door glass 700mm - opening 706mm.

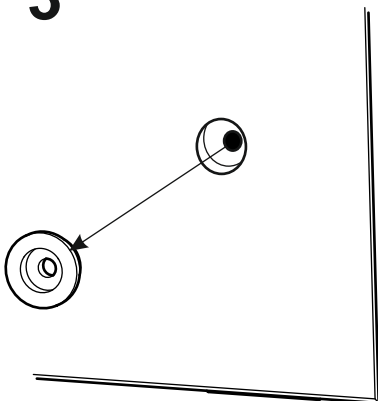
1



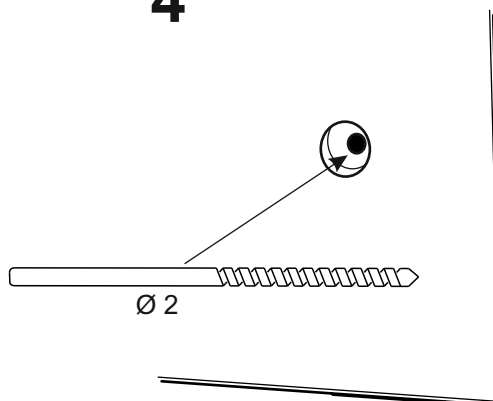
2



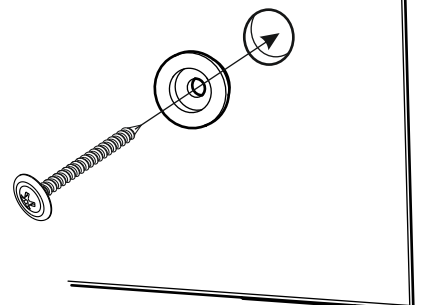
3



4

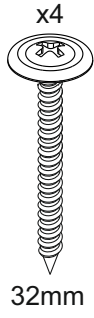
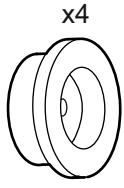


5

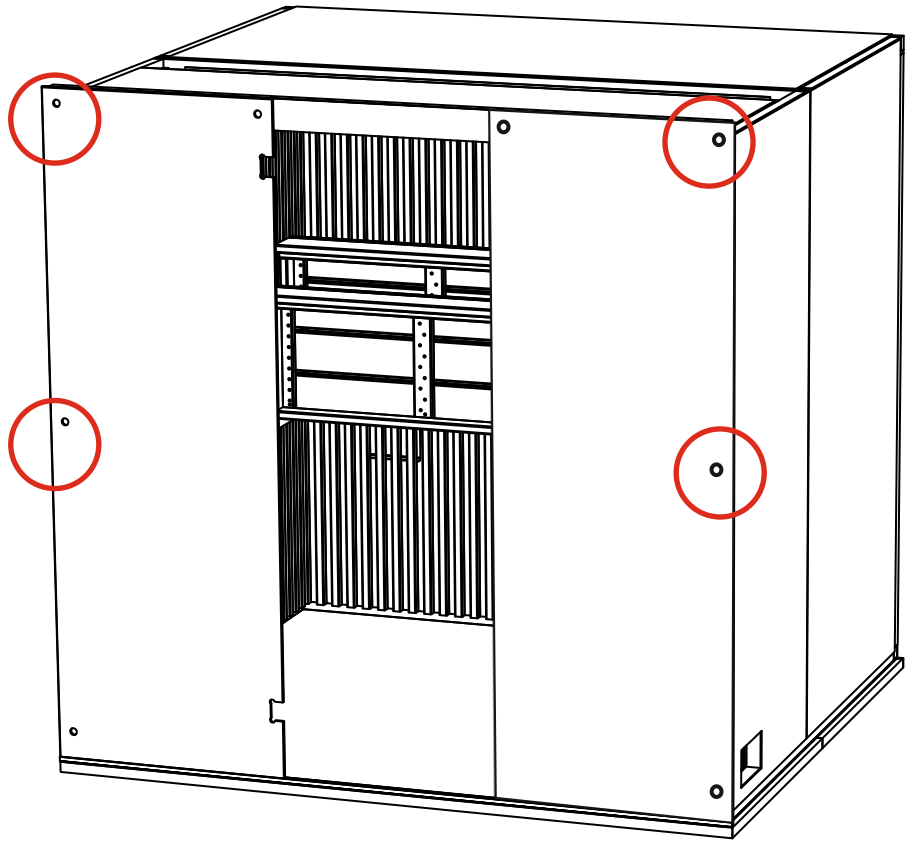


Blow away the sawdust

36

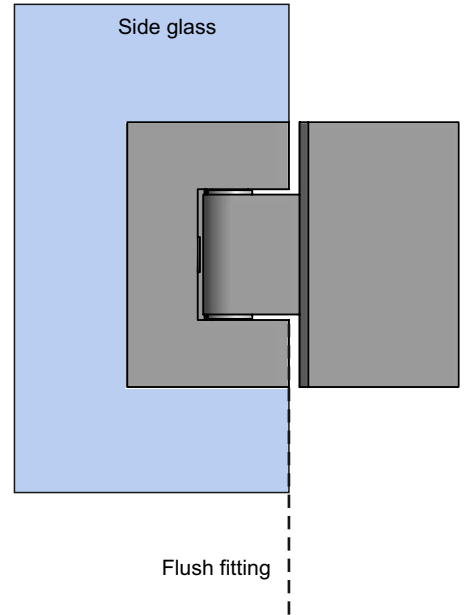
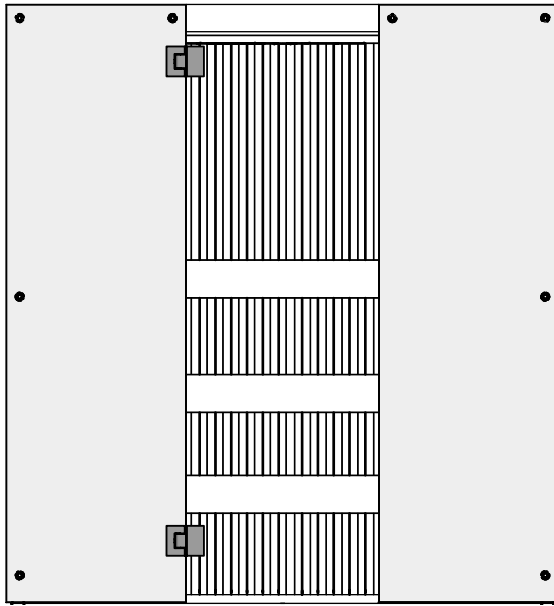


Repeat steps 1-5 on the previous page.



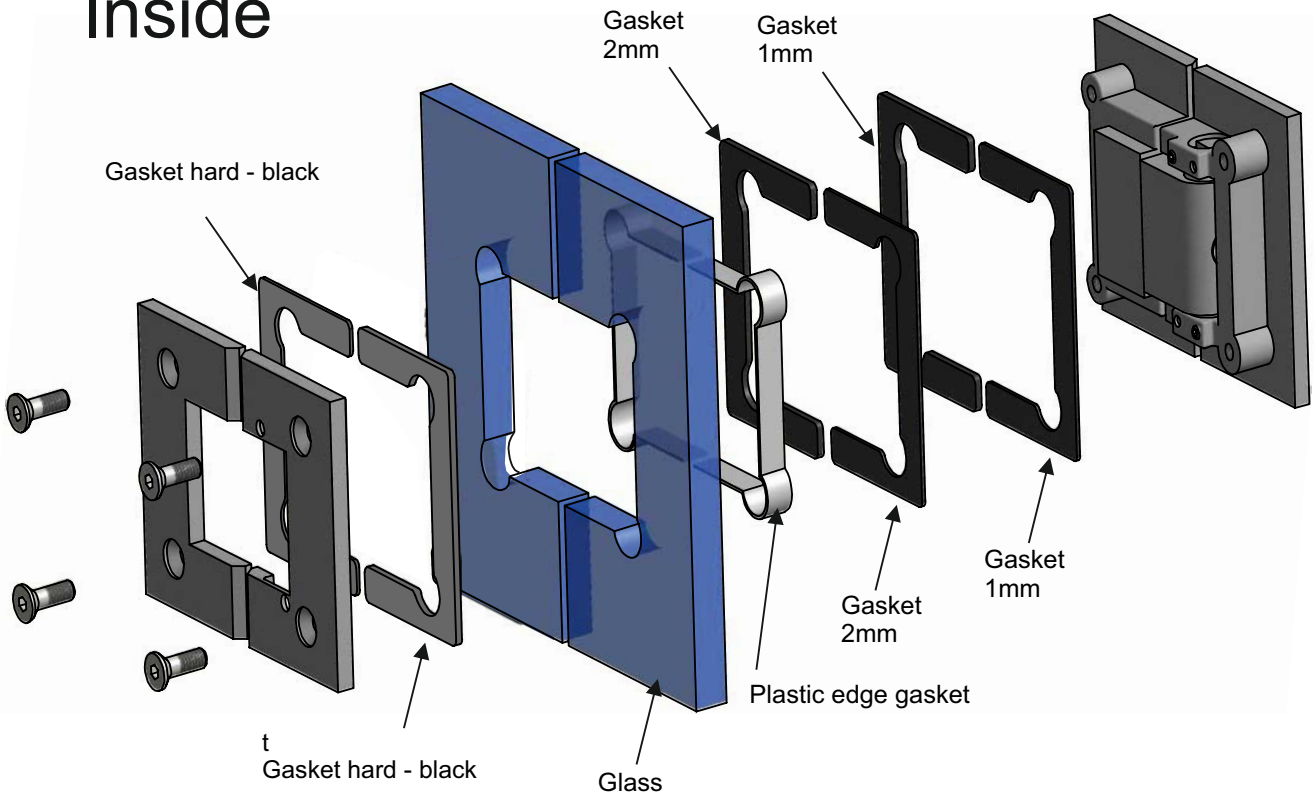
37 HINGES GLASS-GLASS

Mount the hinges on the side glass



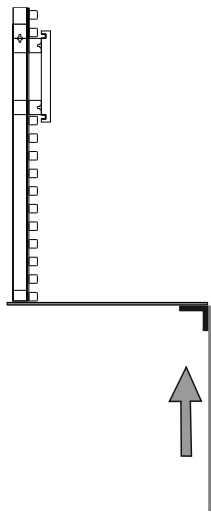
Outside

Inside

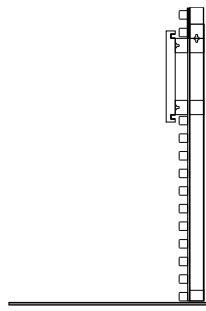


Add more gaskets if necessary to make sure that the screws tighten enough.

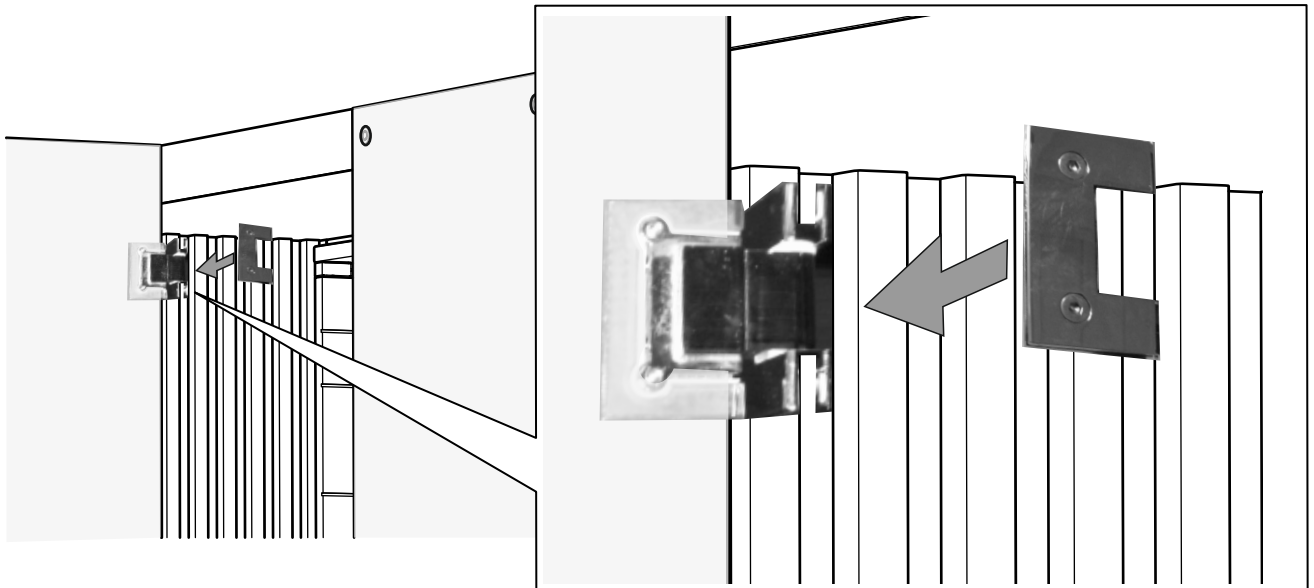
38



Door glass

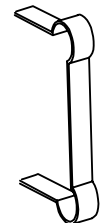


Tip!
Distance block
Height approx. 26mm



Add gaskets on the hinges and put the door glass on the hinges.

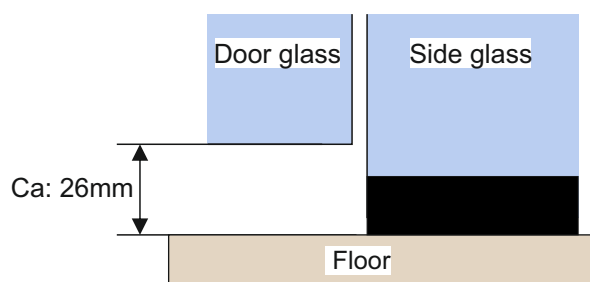
Then put the plastic gasket into place.



Plastic gasket

IMPORTANT!!

Close the door slowly and make sure the doorglass doesn't hit the side glass.

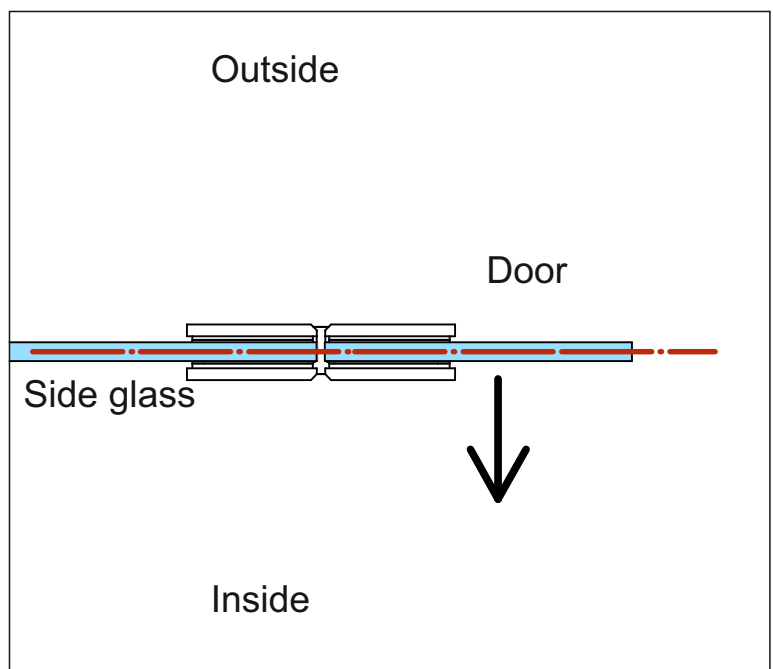
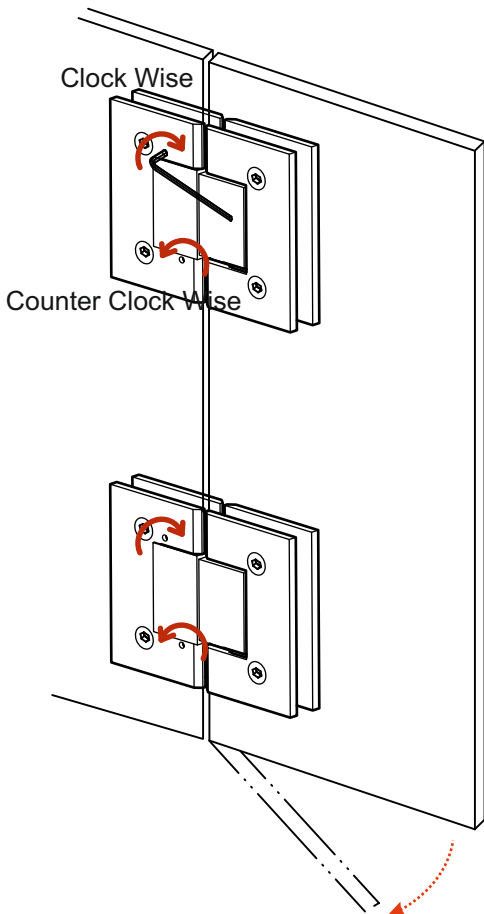
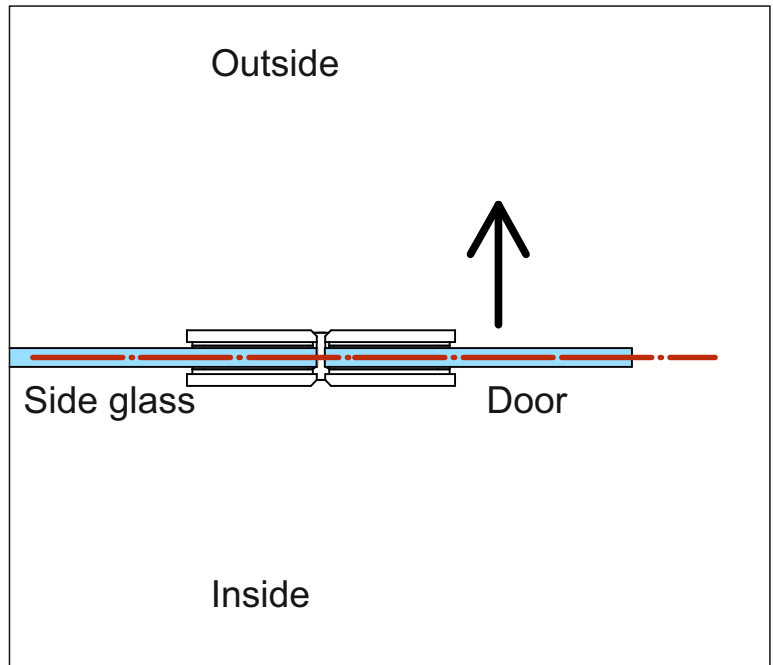
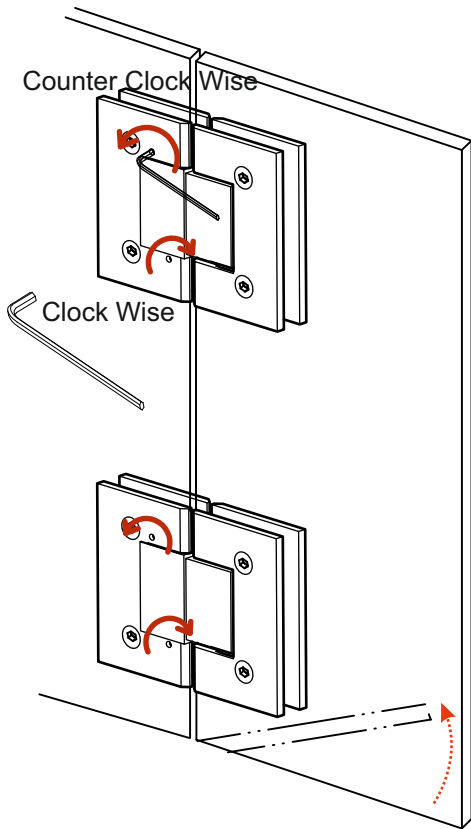


Re-tighten hinges again after approx. one week.

39 Adjust the hinges

if the door doesn't close entirely use the Allen wrench to adjust the door

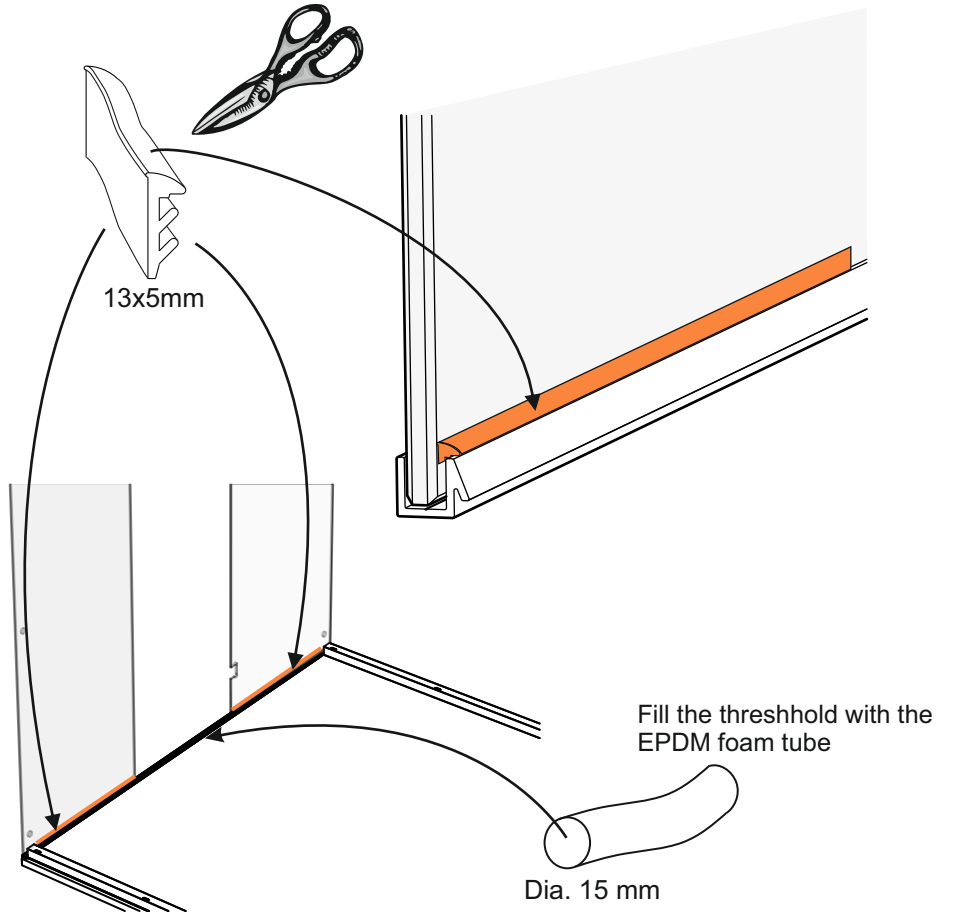
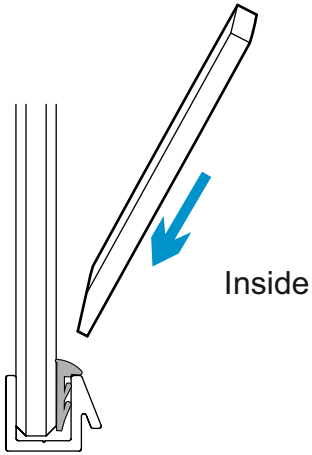
For more information - scan the QR code on the hinge box.



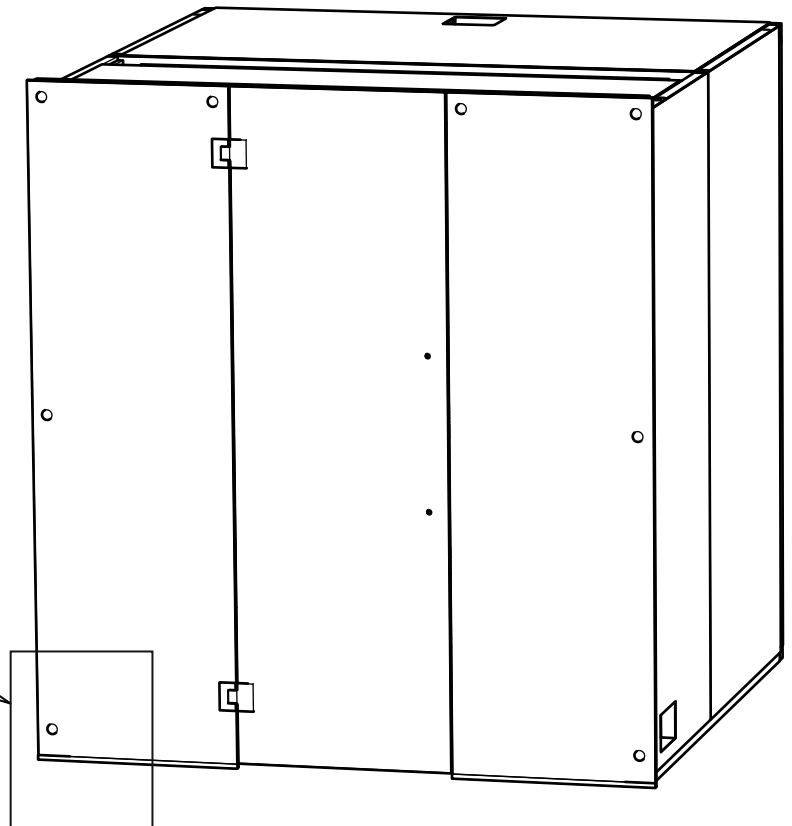
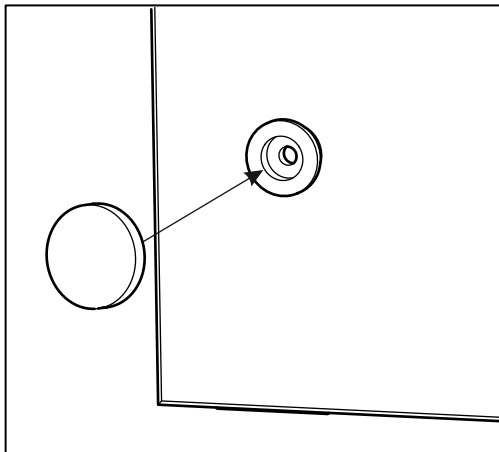
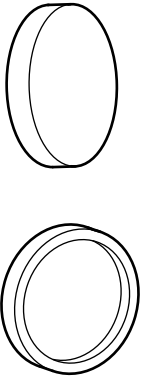
40



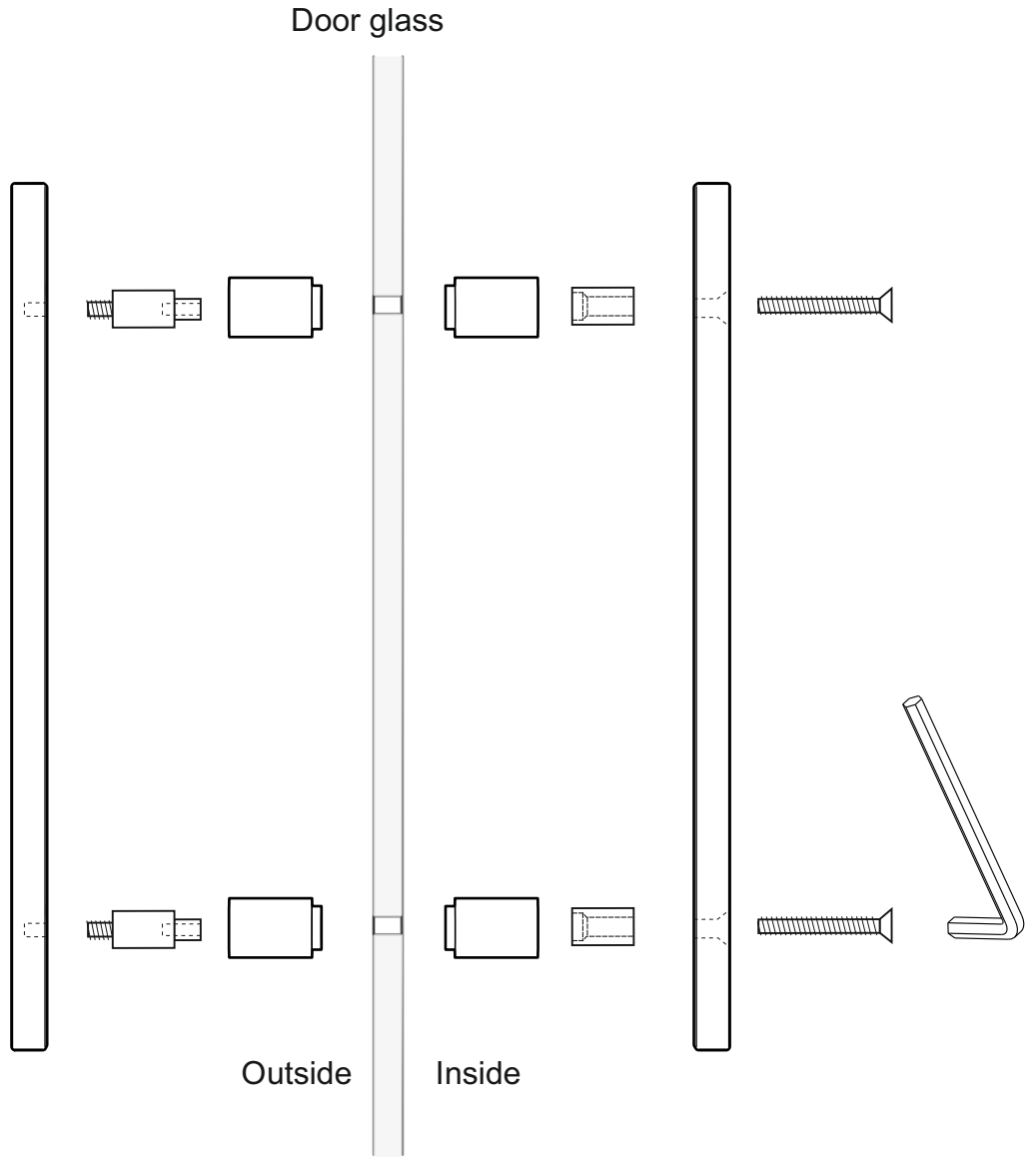
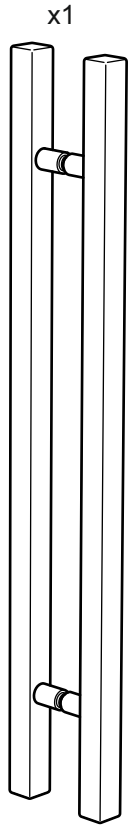
Tip! Use soap water or something similar.



x8



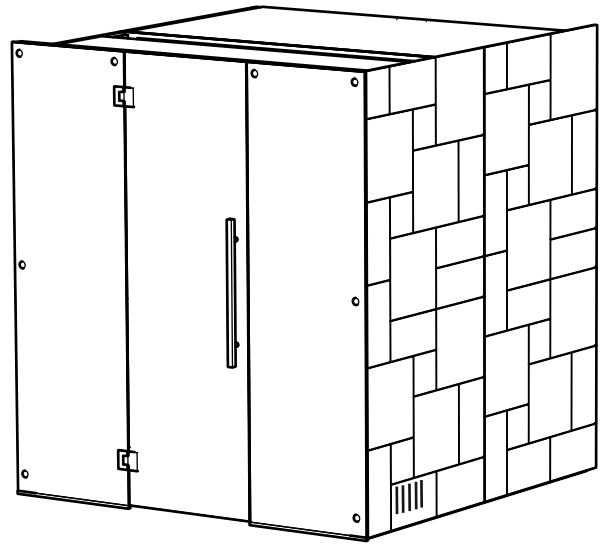
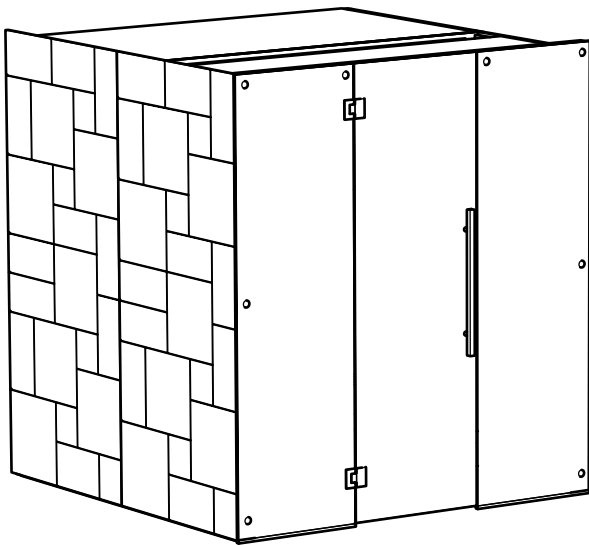
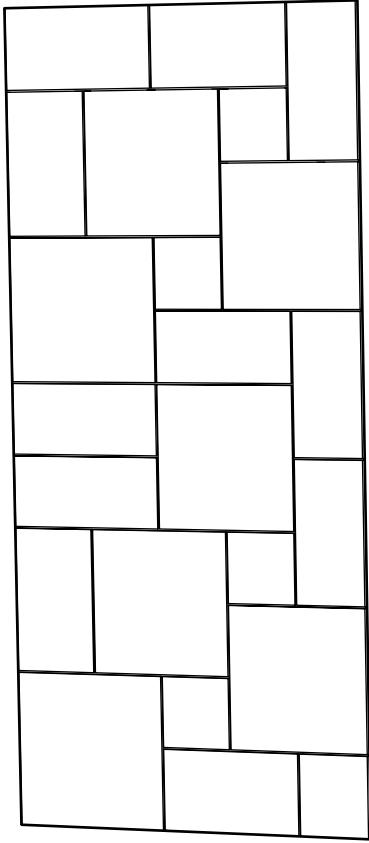
41 Mount the handle



42 Exterior Cladding

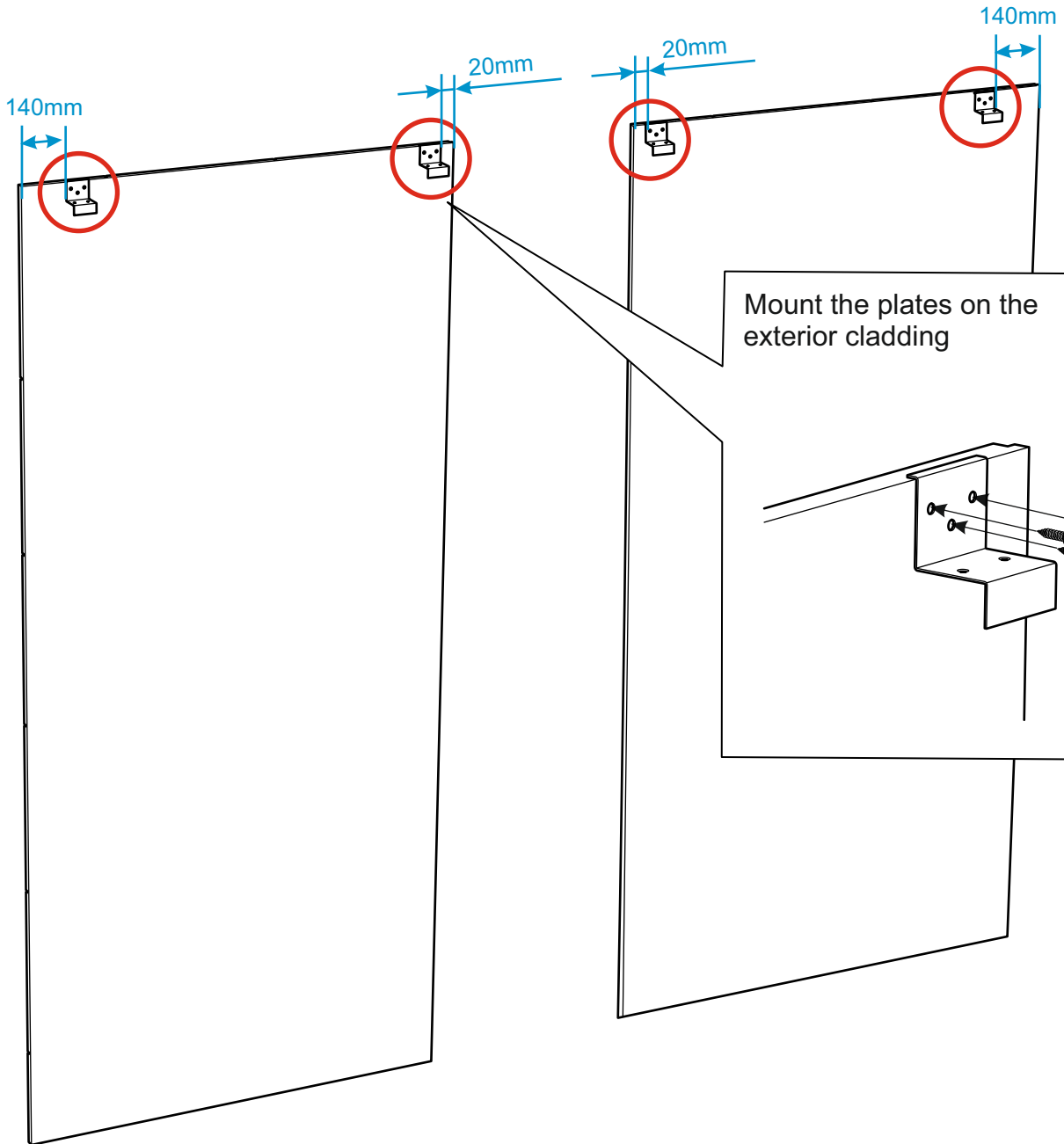
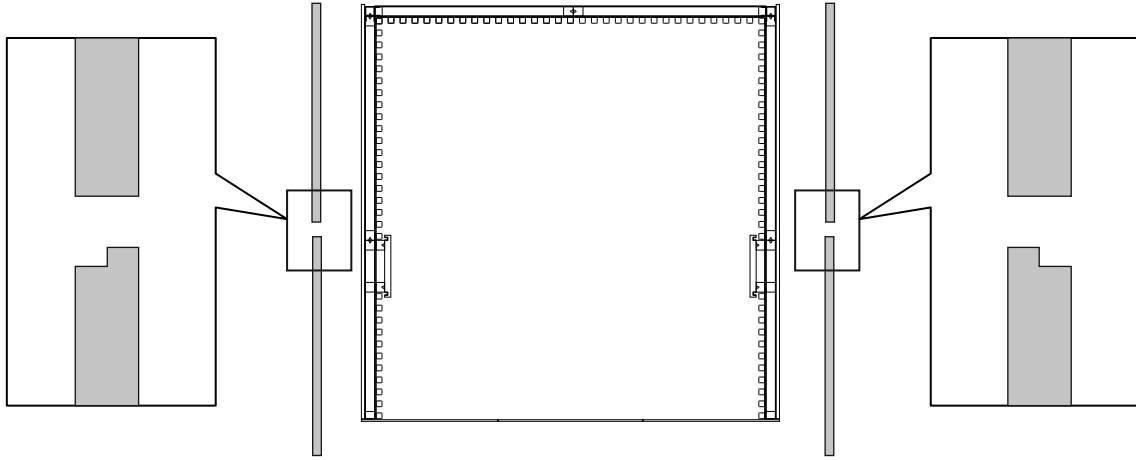
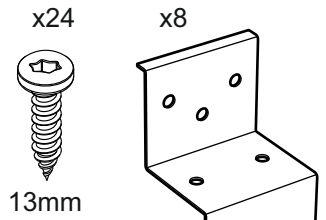
There are claddings for both sides of the room.

If the room is placed close to a corner, it is difficult to manage to mount the inner cladding.



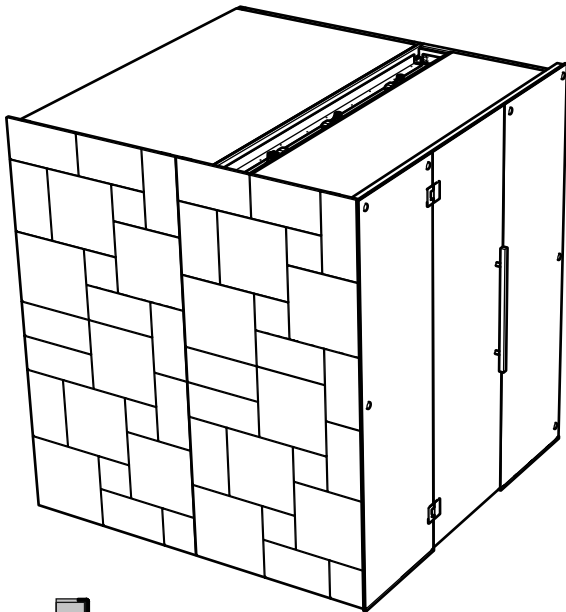
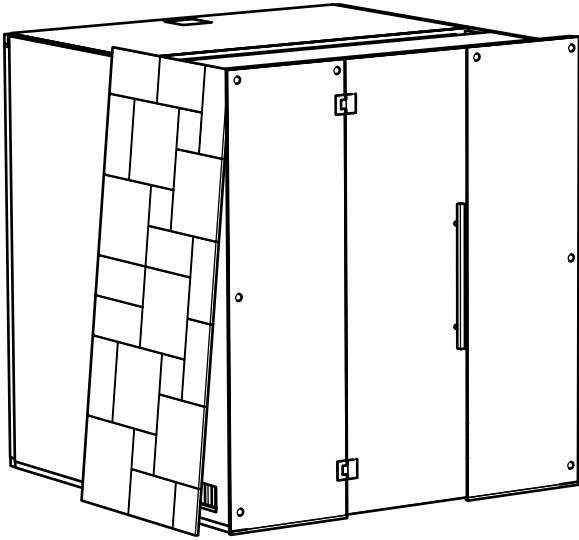
43

Regardless of which side of the room the exterior cladding is to be on, the board with a groove along the entire edge is placed towards the front (groove in the middle).

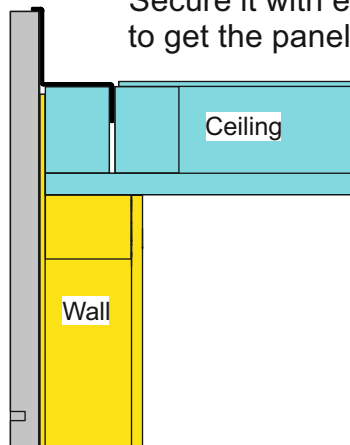
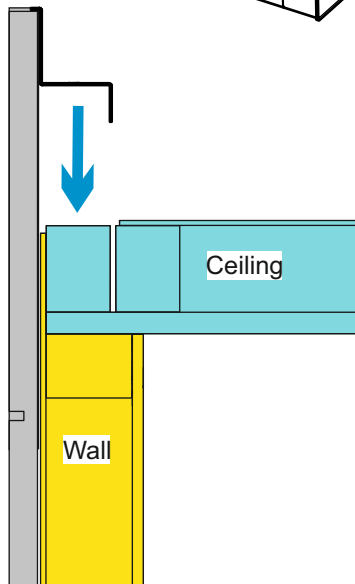
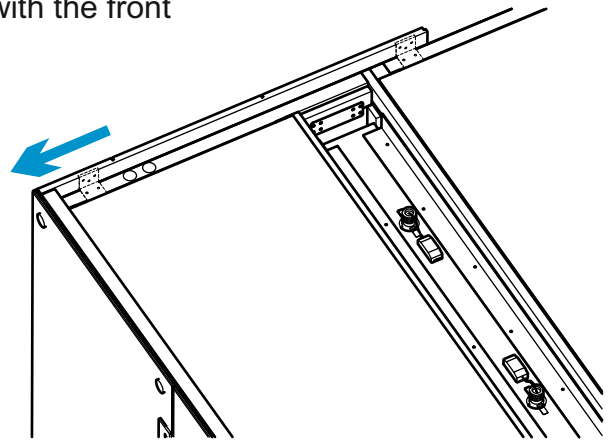


44

Hang the exterior cladding in place.
The bracket should fit in the groove in the ceiling.



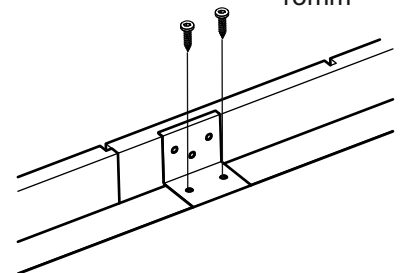
Place the front panel against the wall flush with the front



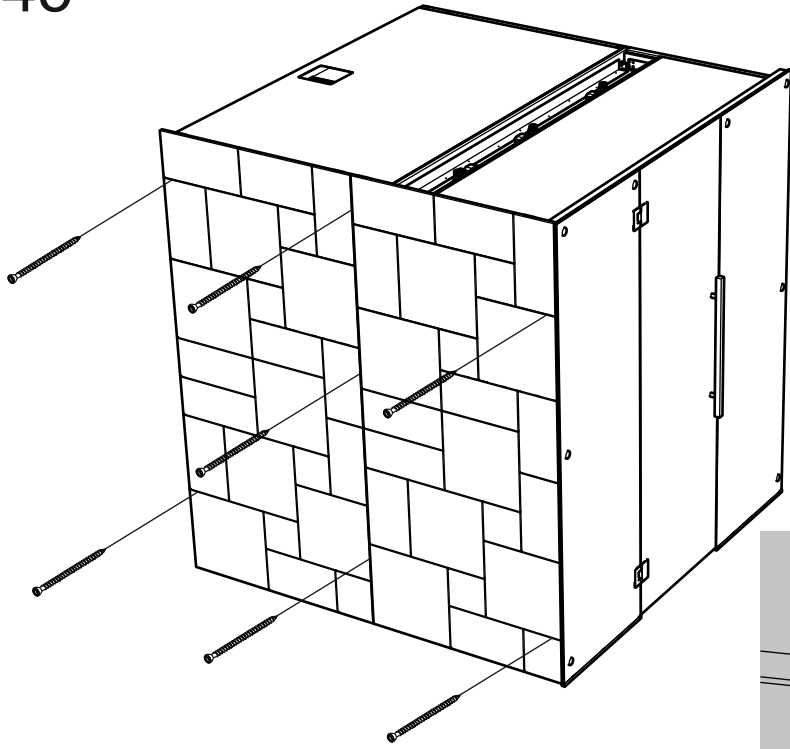
Secure it with extra screws if needed to get the panel flush to the glas



13mm

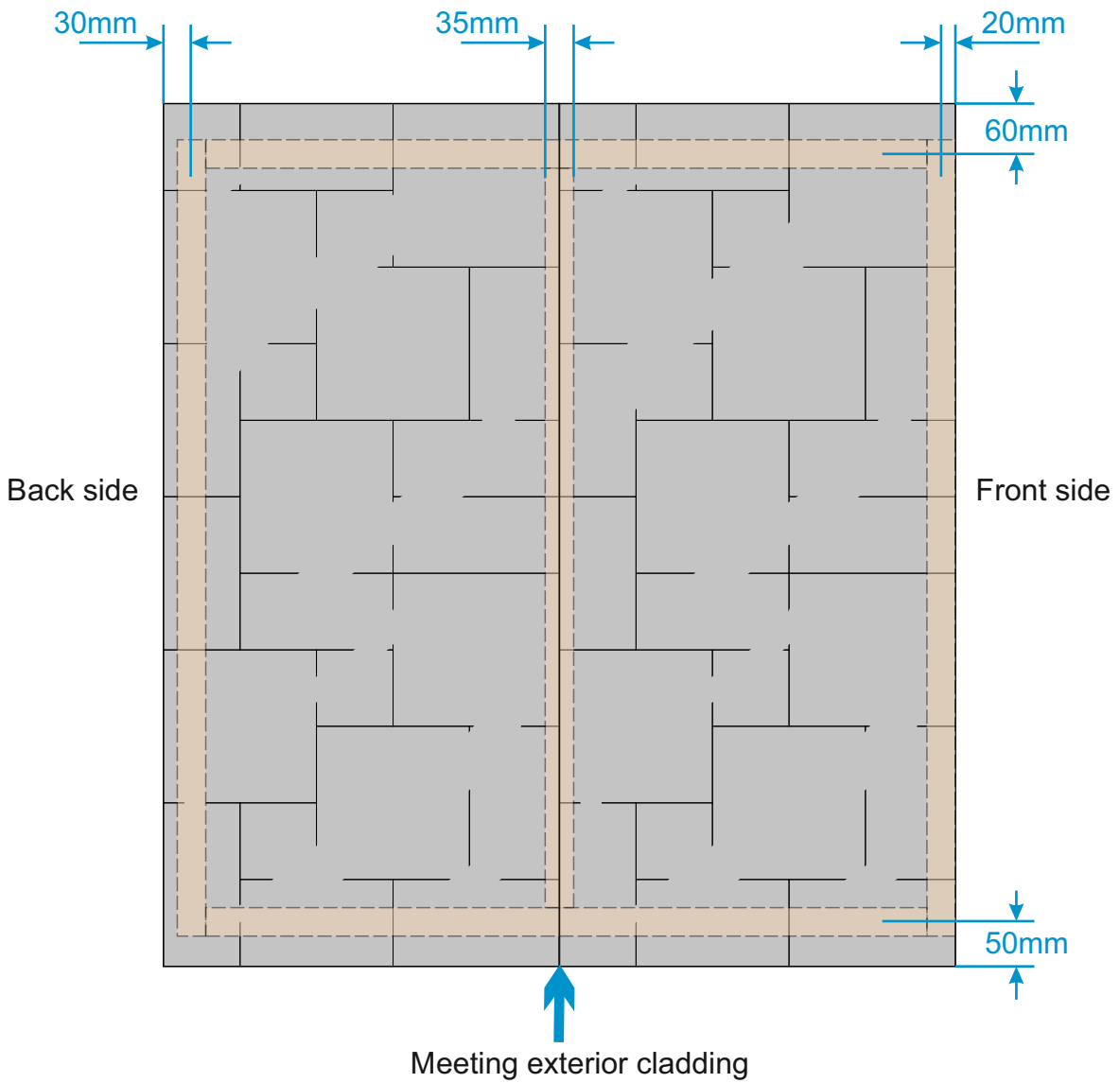
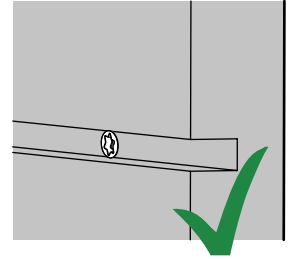
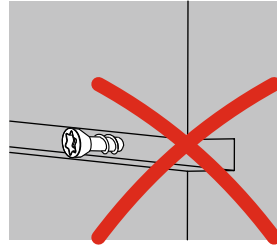


45

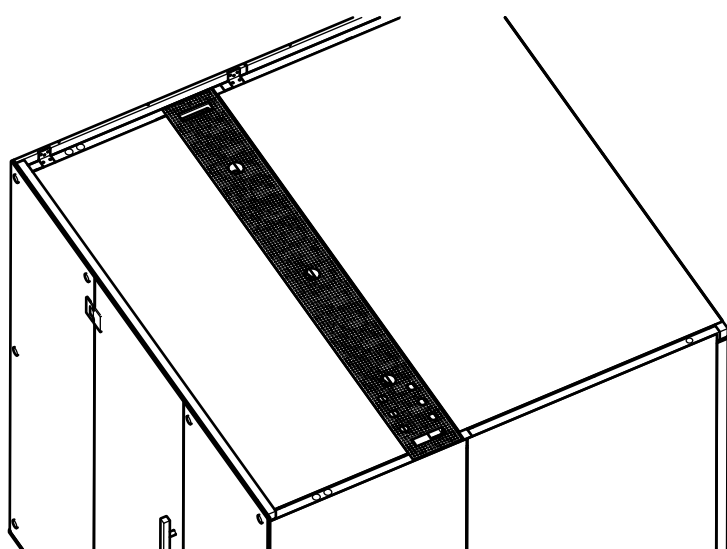
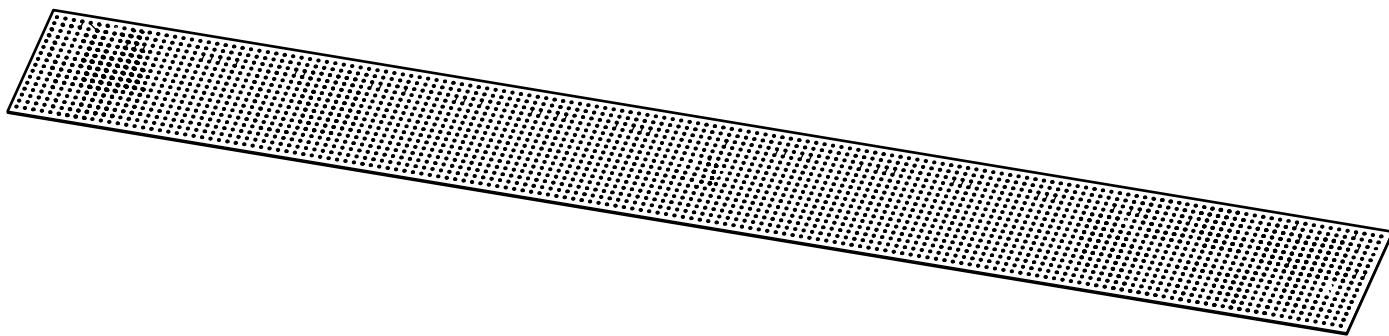


42mm

Fasten with a few screws in the traces of the exterior cladding. Make sure that the screw ends up in a wooden plank, see drawing below.



46



Put the ventilation board in place

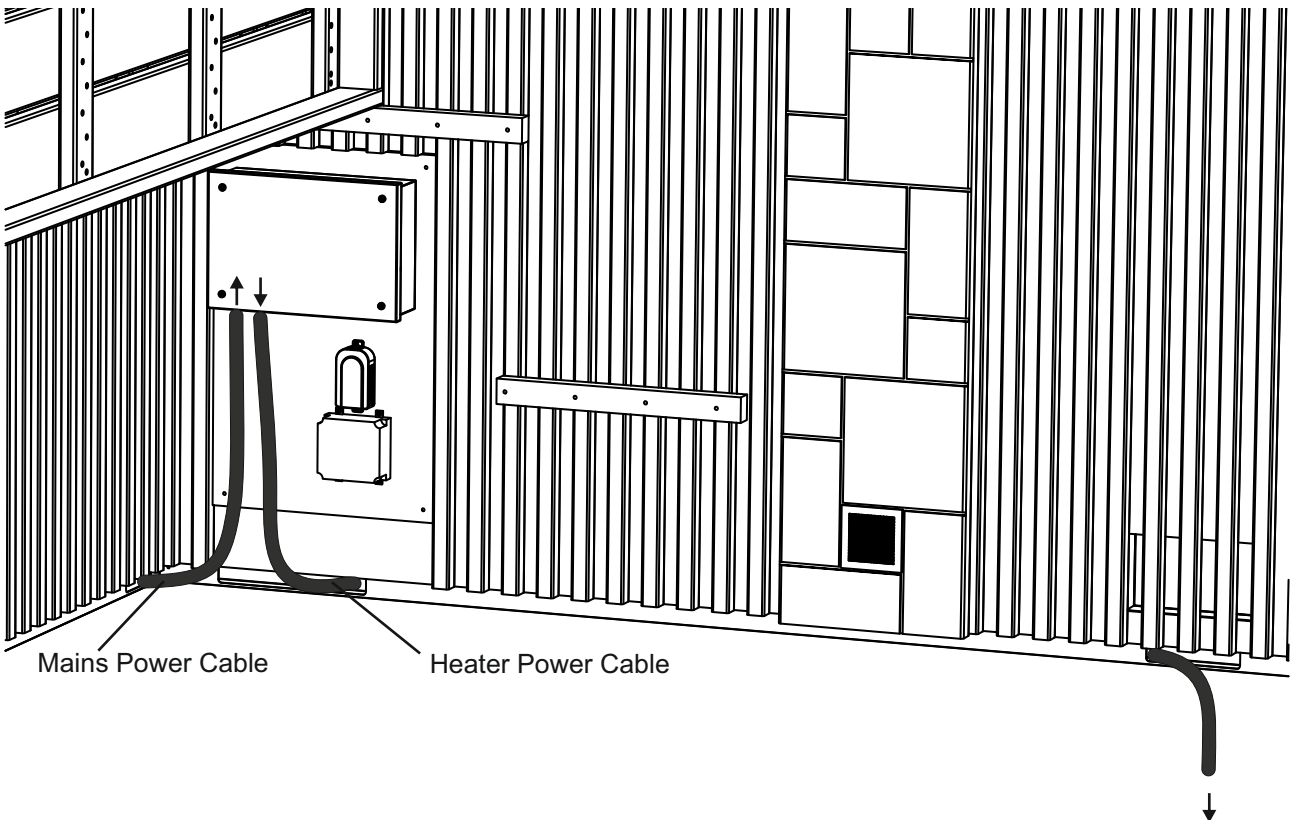
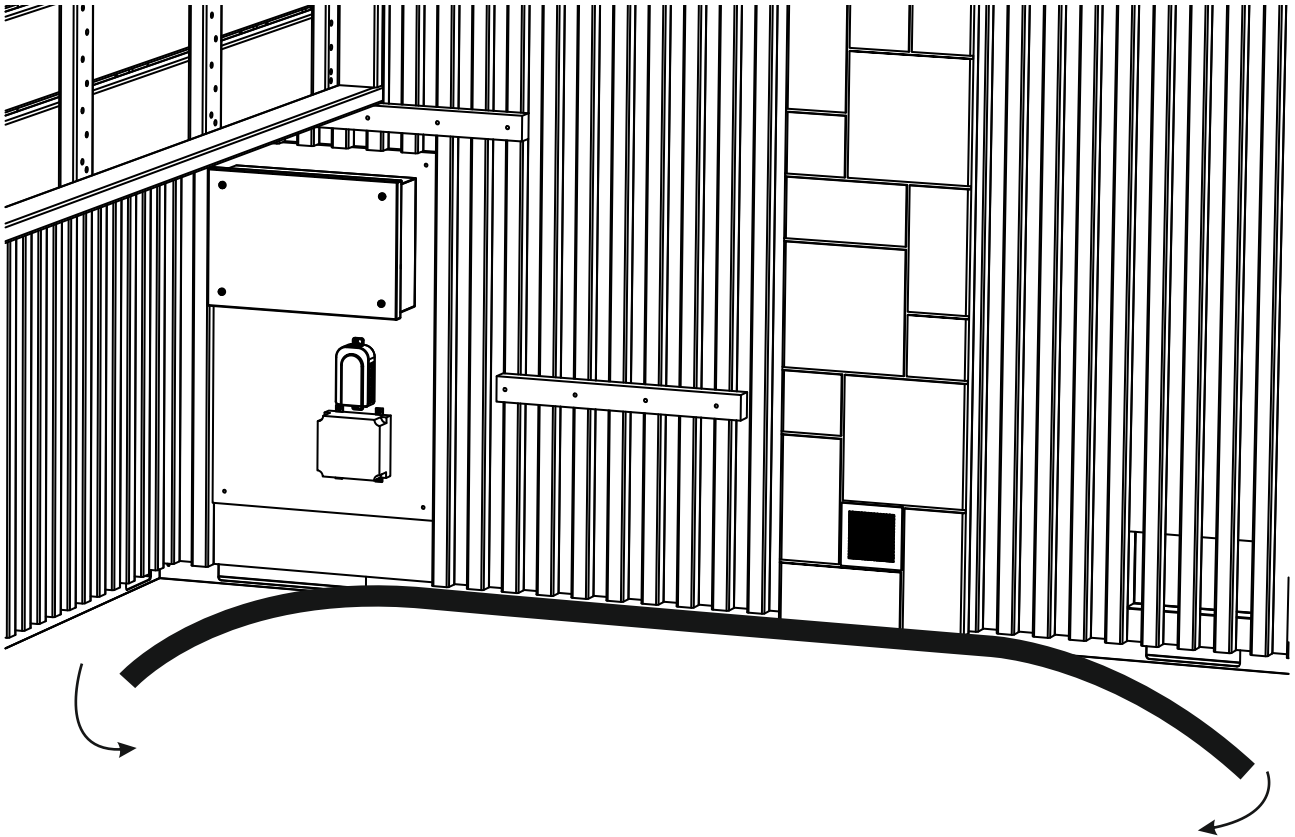
47

Field wiring.

Route the mains to the CB-box through the back floor frame.

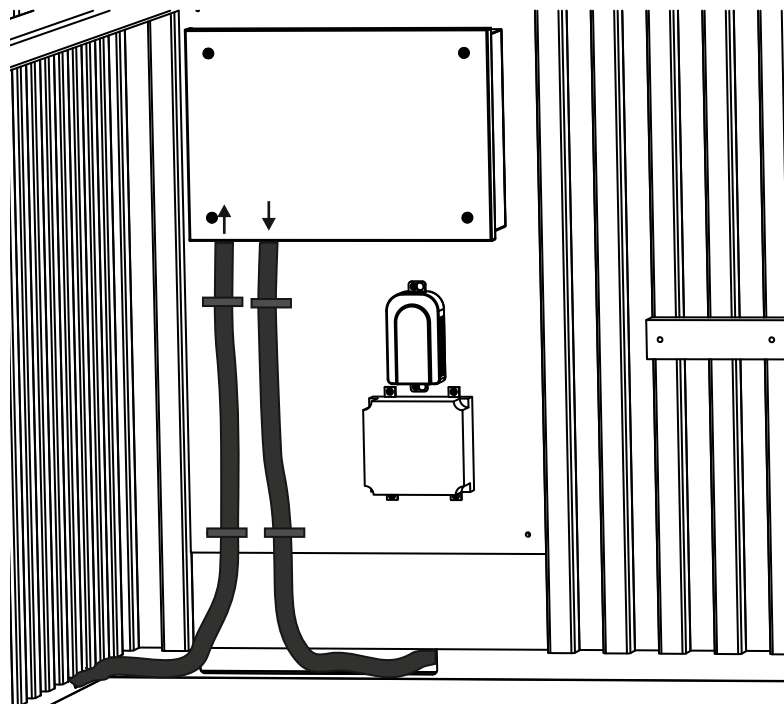
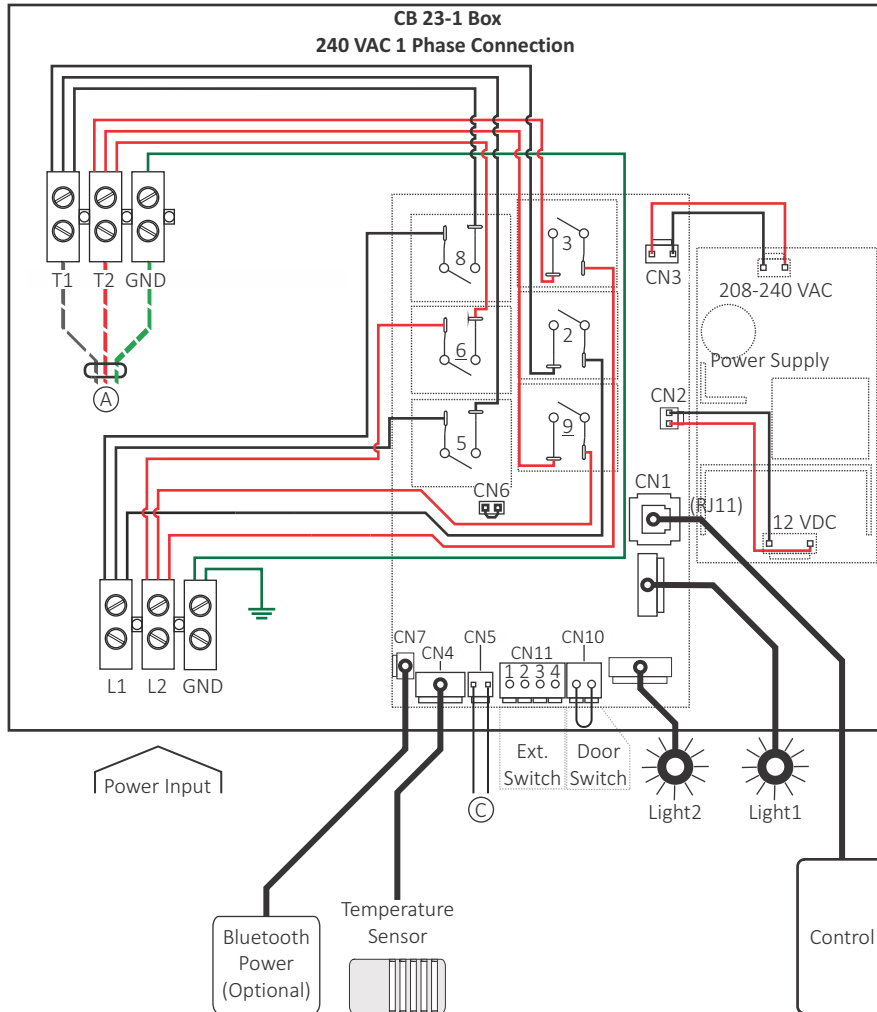
Route the mains cable from the CB-box to the heater in the right side floor frame.

If needed loose the EPDM-foam so the mains cables route nicely.



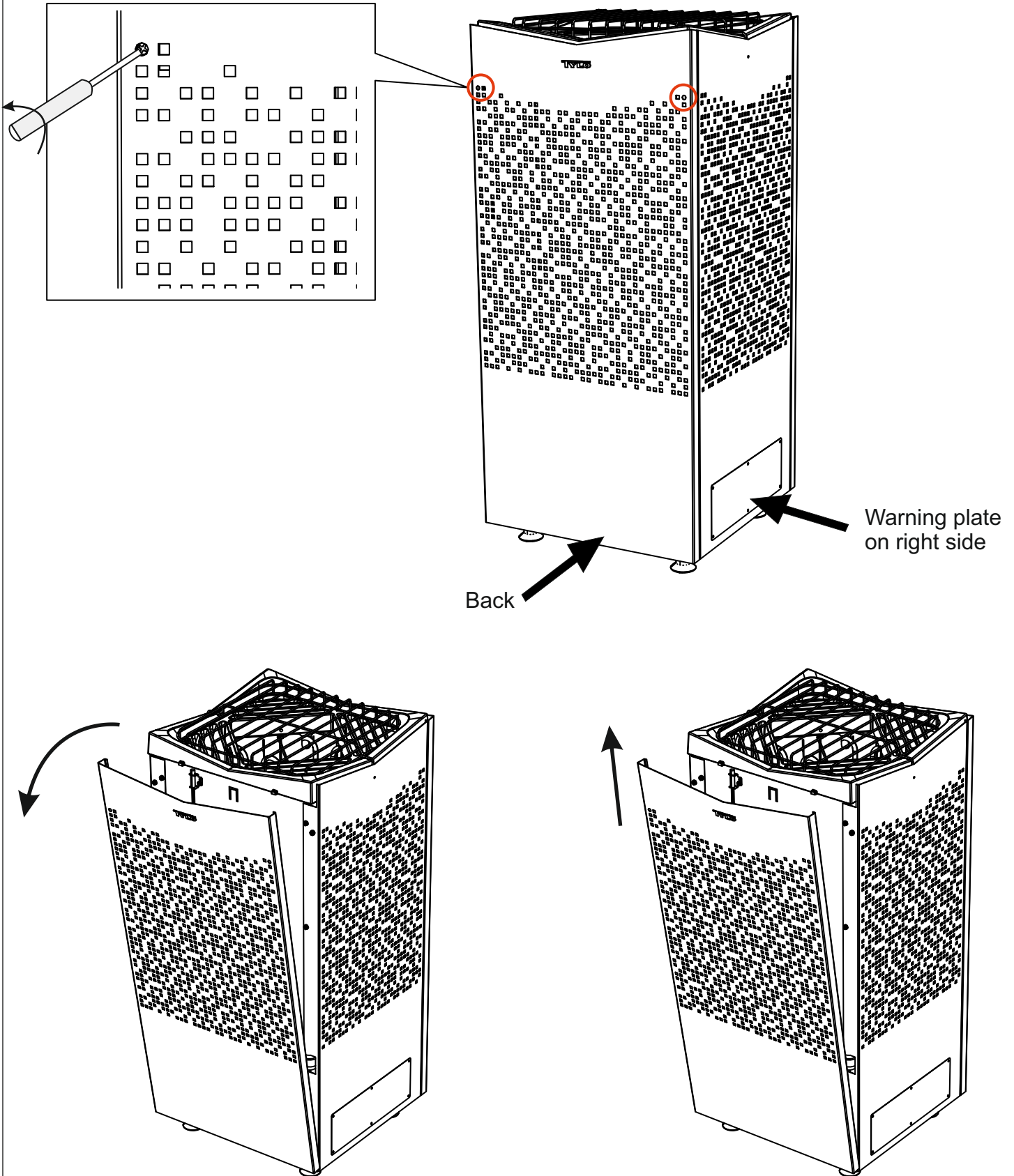
47

Connect the mains cable into the CB-box. See more details in the instruction manual from the CB-box.



48

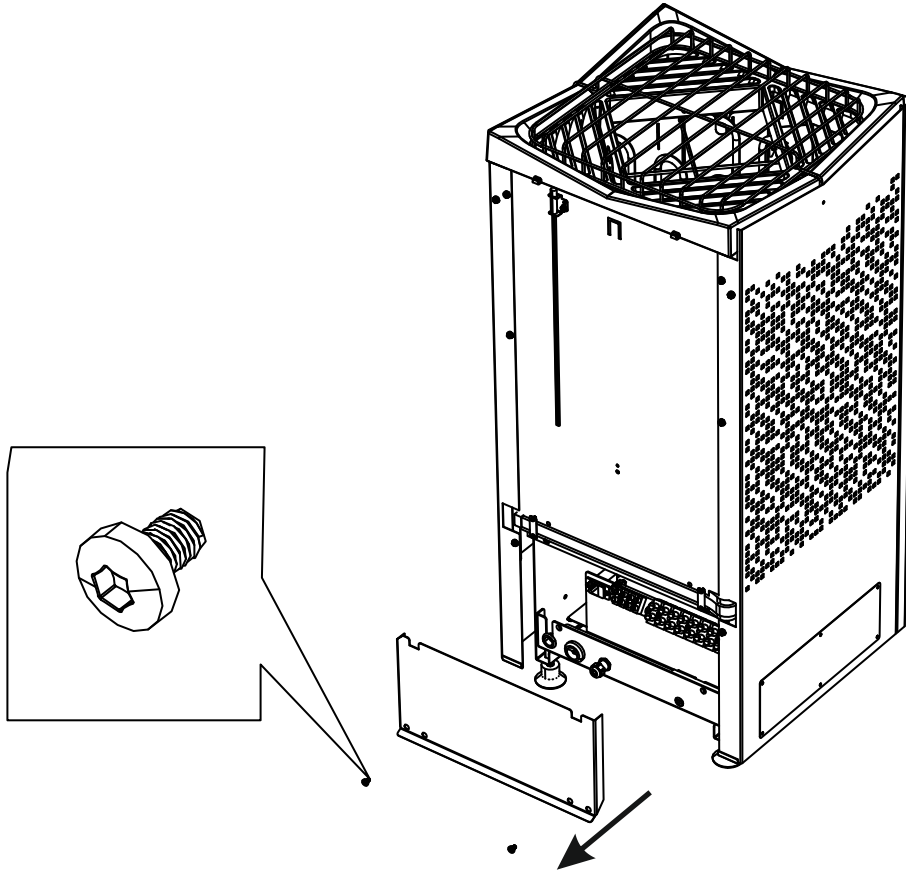
Open first the back, unscrew the two hidden screws (torx 20). Or use a flat tipped (3.5 mm) screw driver. Tilt the panel and lift it off.



49

Open the lower hatch, (tx 20).

Connect the heater, see heater installation instructions for detailed information.



50

Connect the heater

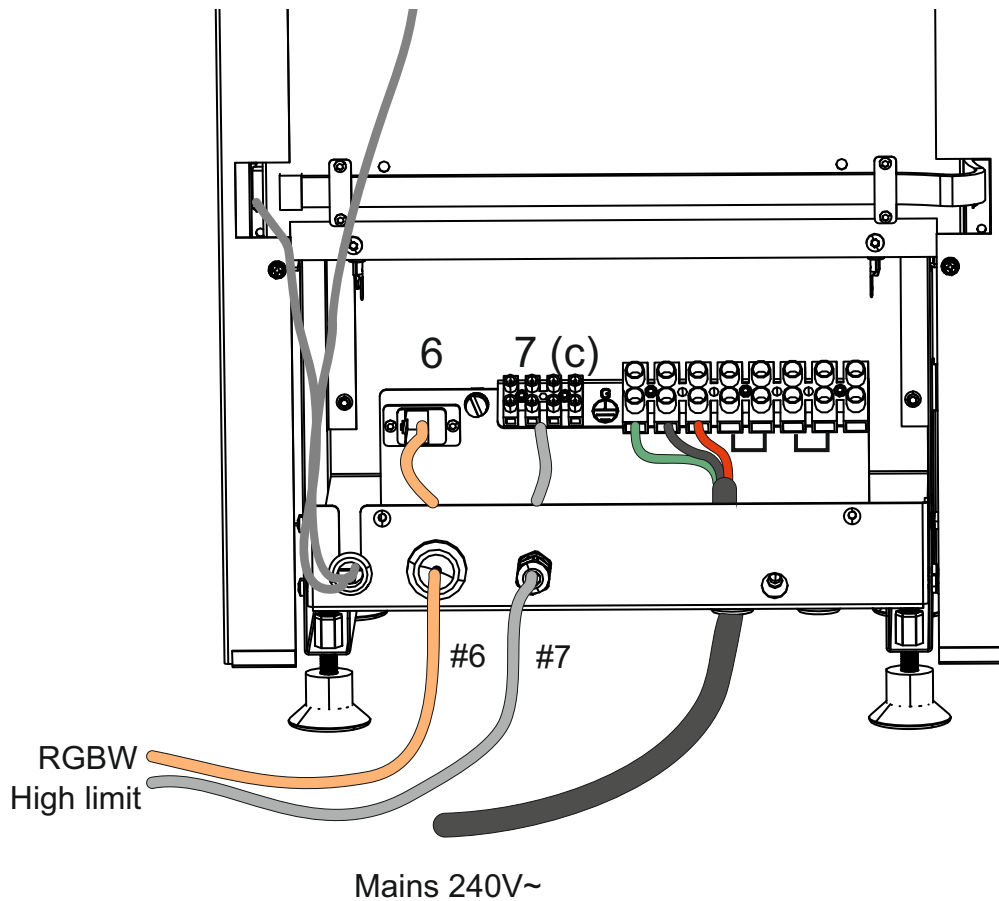
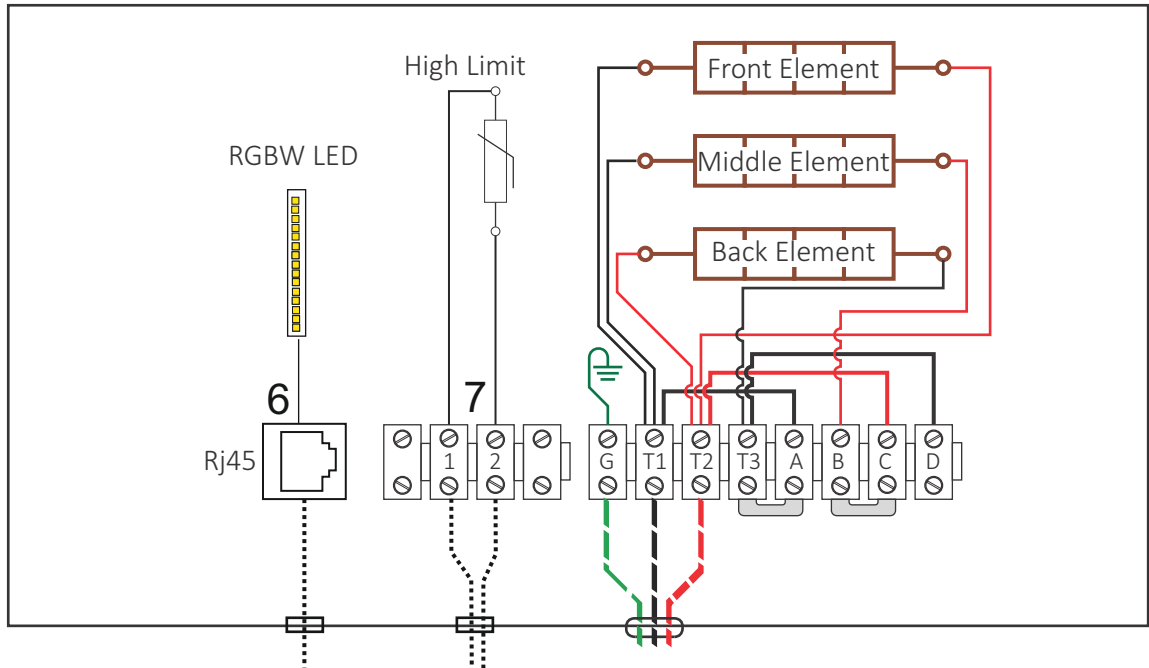
Mains, cut open the strain relief and secure the cable.

Click in the Rj45 cable into no. 6, use the rubber grommet.

Connect the high limit into Terminal no. 7, use the strain relief on the back.

Crown UB Heaters

1804-60-1902, 1804-83-1902



51

Close the hatch and put back the back panel.

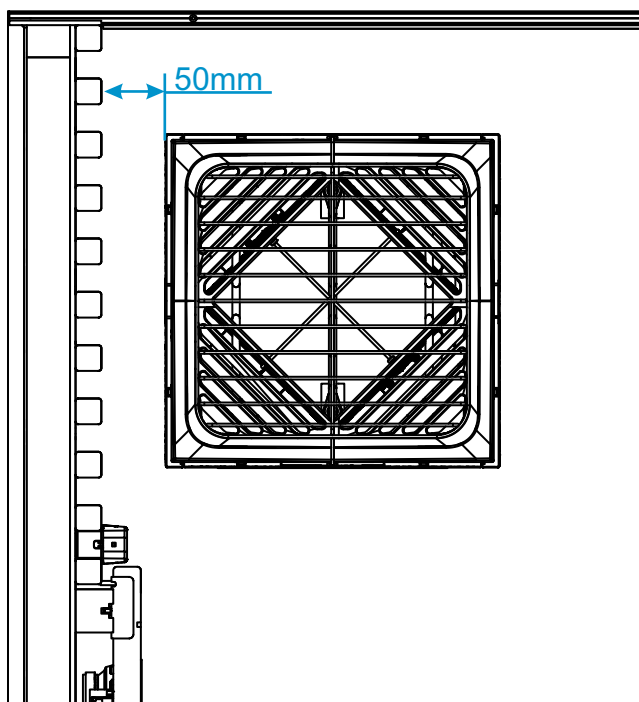
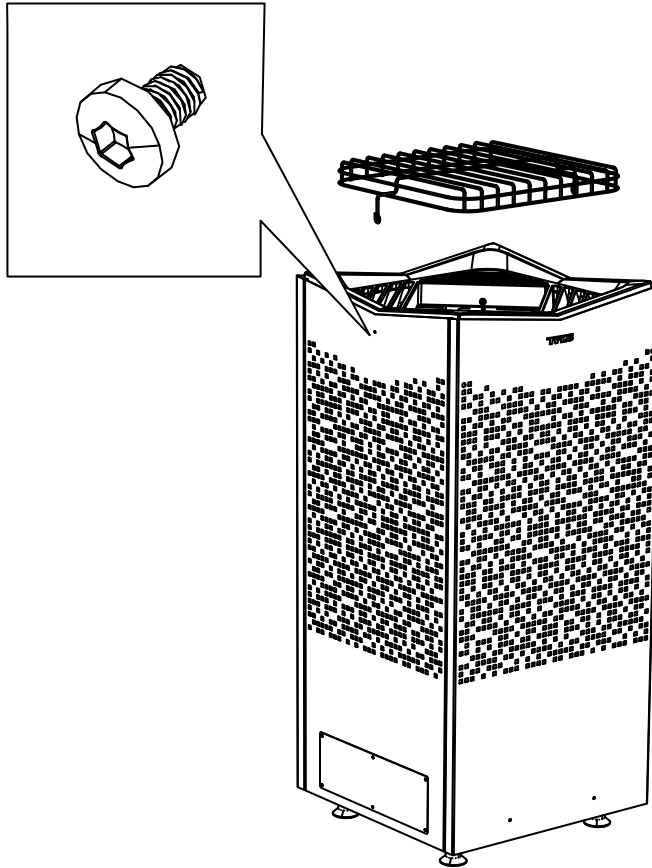
Unscrew the two black screws on the sides. Fill the rock compartment.

Secure the rock guard with the screws.

Put the heater in position. Center it and minimum 50 mm from the back wall.

Push back the EPDM foam strips, if needed cut out an opening to fit the mains cable.

Turn on the system to see that everything is working.

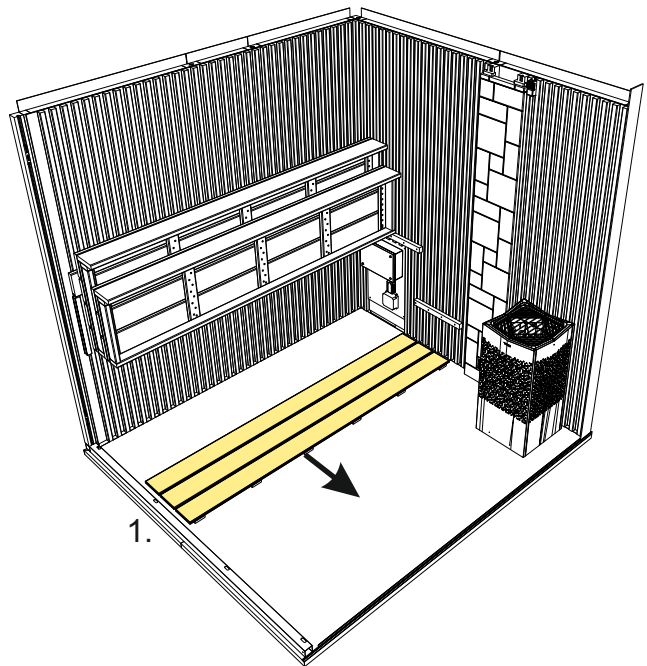
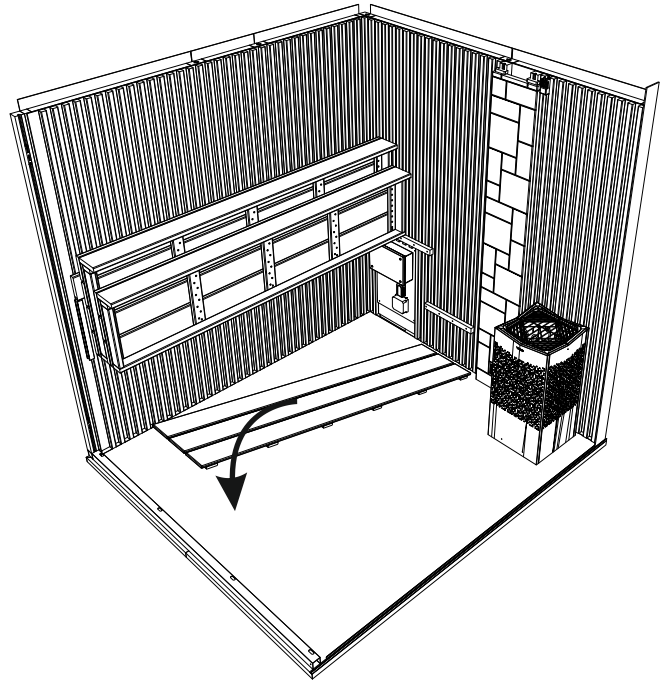
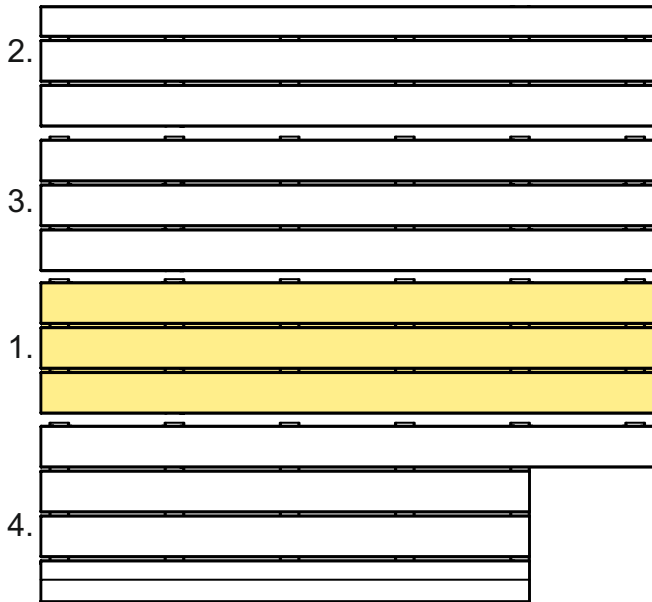


52

Put the floor grating in place.

Start with piece a middle piece. Tilt it down behind the portal and slide it under the portal.

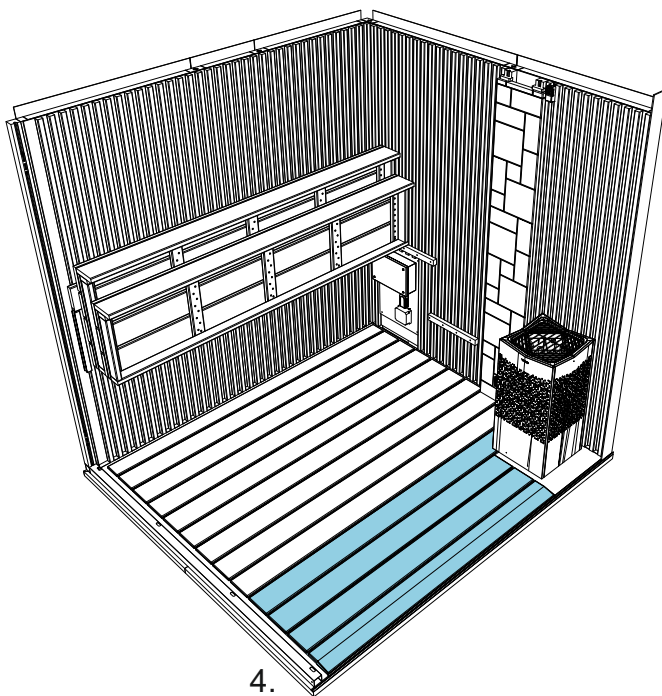
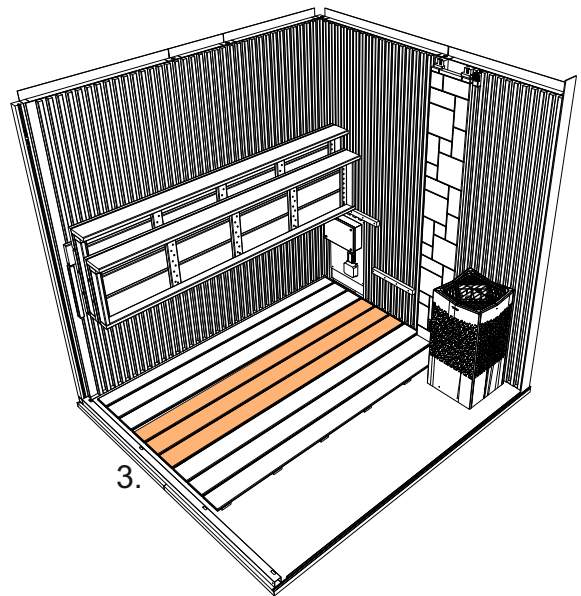
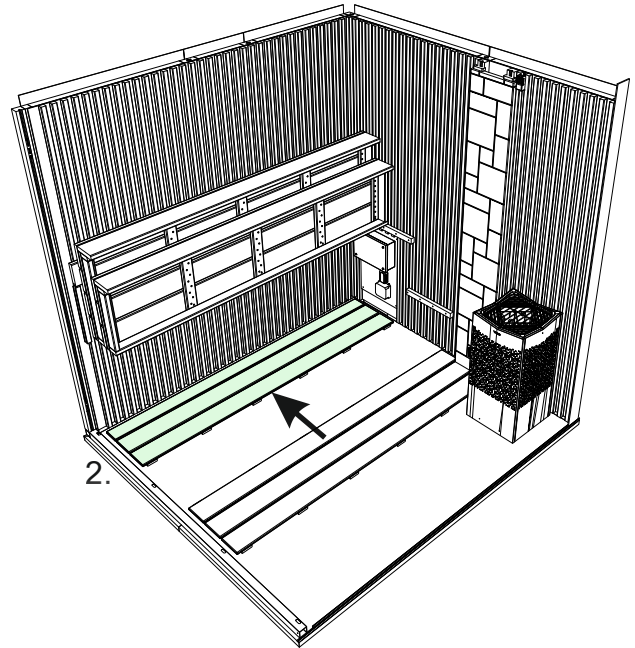
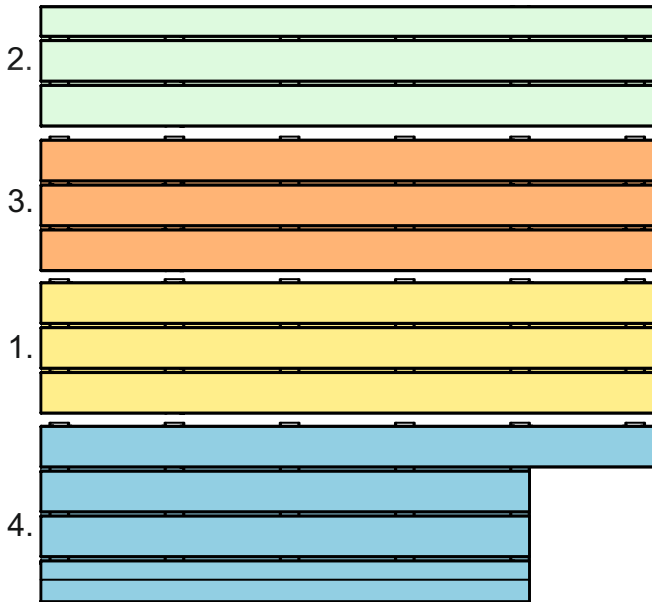
Order to lay in the floor gratings



53

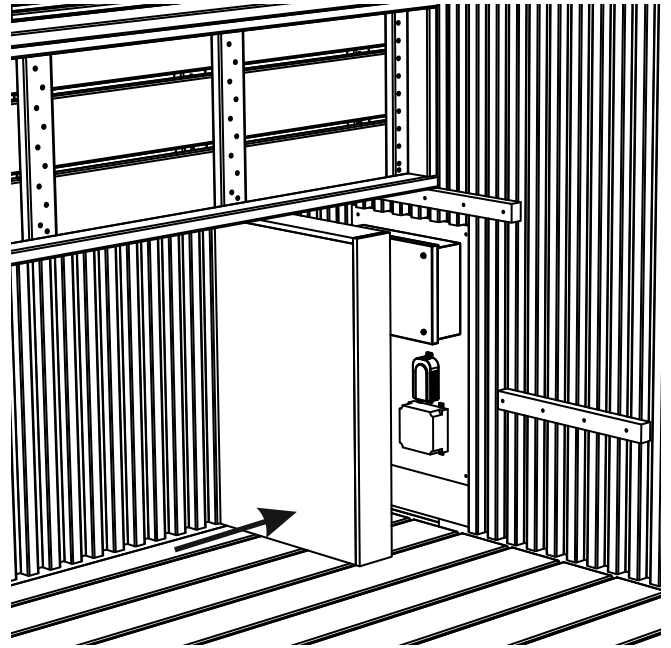
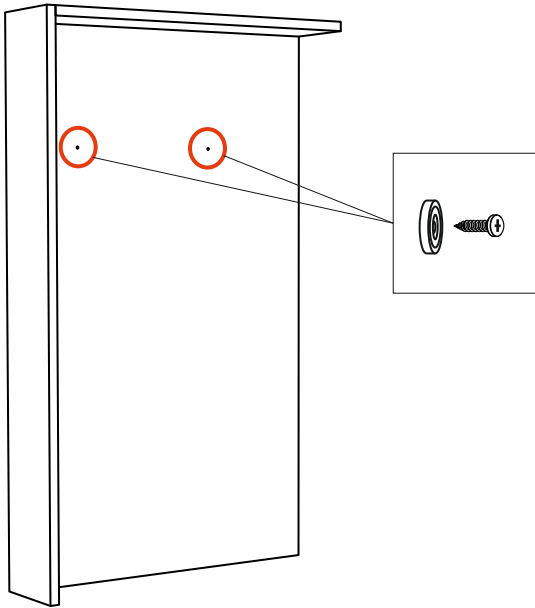
Take the inner piece (no support that is sticking out) and push it to the back.
Take one more middle piece and fill the gap.
Last put down the front piece around the heater.

Order to lay in the floor gratings

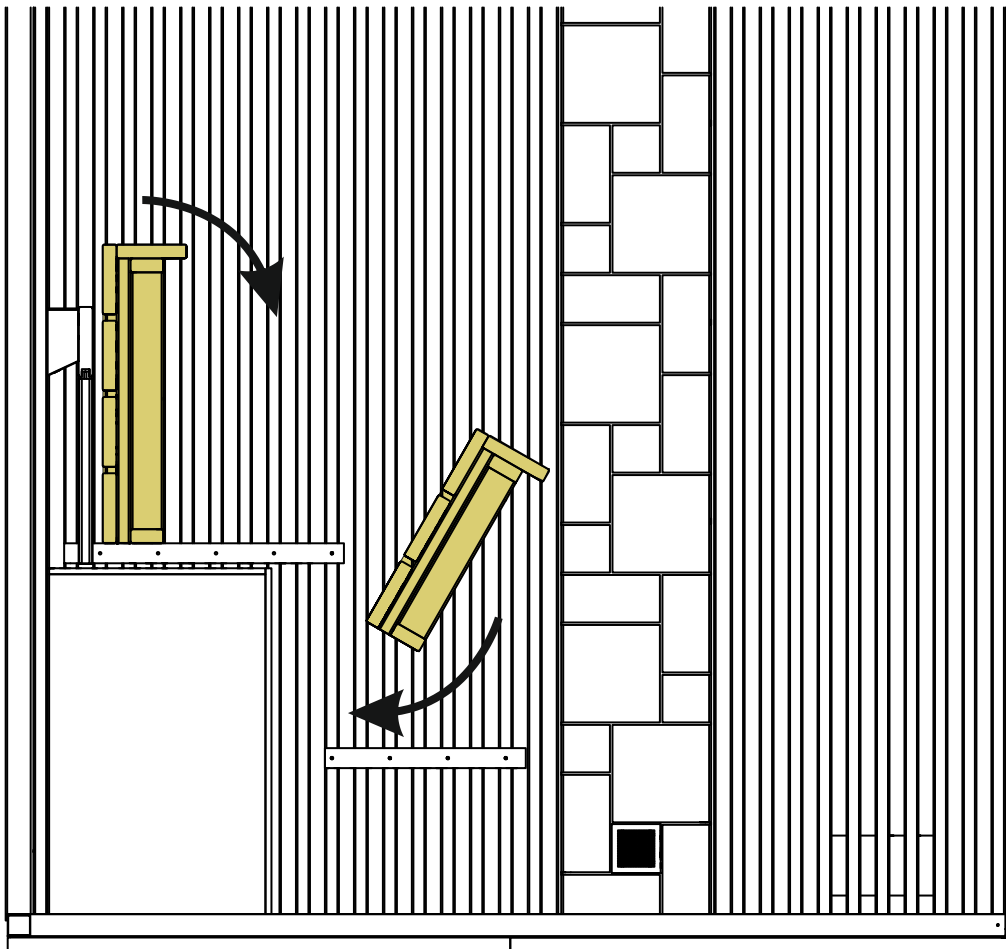


54

Mount the magnets to the cover with the two screws and hang it into place.



Fold down the benches.



55

Enjoy your Sauna and stay hydrated.

